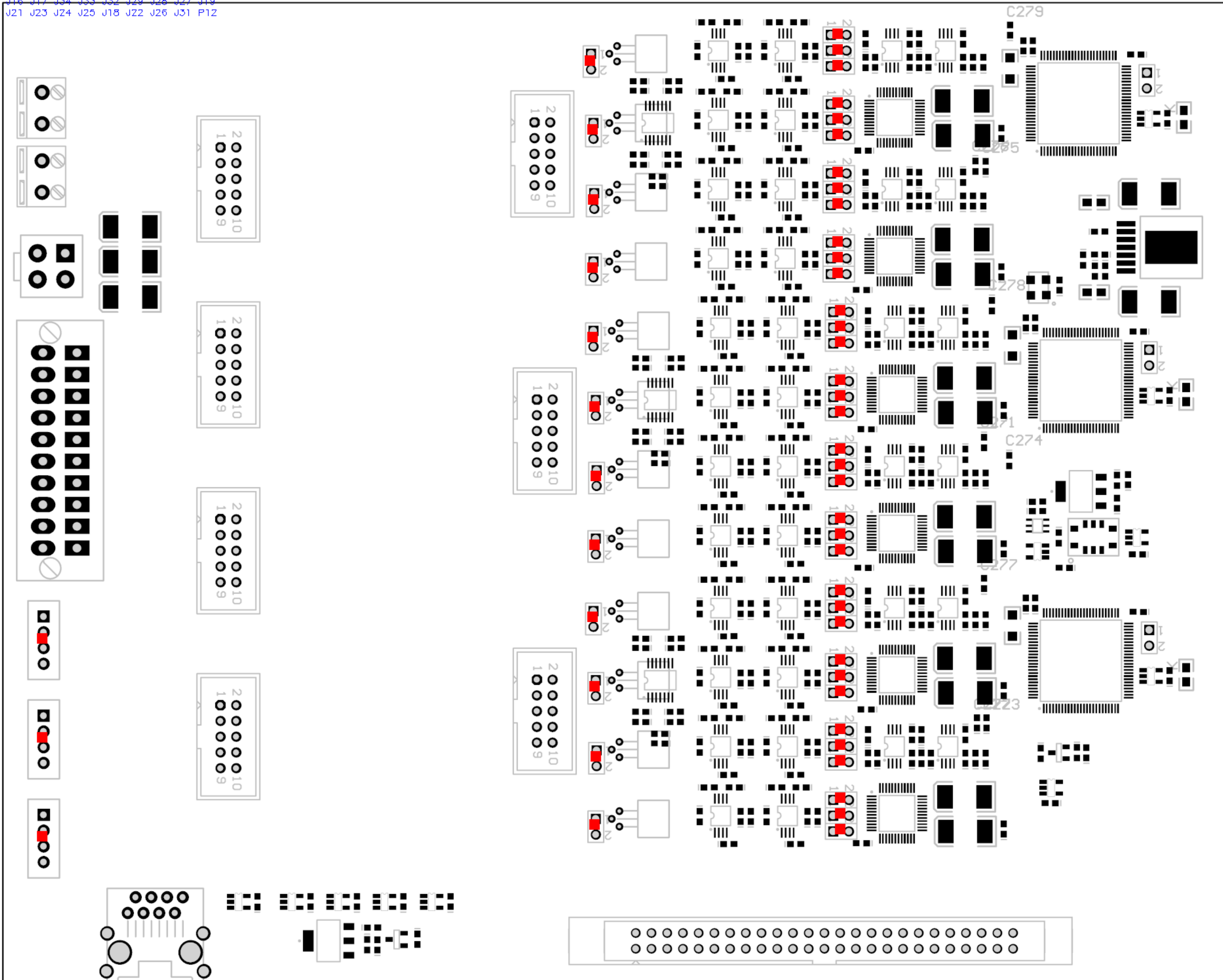


AMP-MODU-M-50-C1
Q=12
P14 J48 J43 J39 J35 J42 J41 J40 J38
J37 J36 J44 J45 J46 J49 J50 J51 P10 J14
J9 J5 J1 J8 J7 J6 J4 J3 J2 J10 J11 J12
J15 J16 J17 J34 J33 J32 J29 J28 J27 J19
J20 J21 J23 J24 J25 J18 J22 J26 J31 P12



AMP-MODU-M-50-C1
Q=96
P14 J48 J43 J39 J35 J42 J41 J40 J38
J37 J36 J44 J45 J46 J49 J50 J51 P10 J14
J9 J5 J1 J8 J7 J6 J4 J3 J2 J10 J11 J12
J15 J16 J17 J34 J33 J32 J29 J28 J27 J19
J20 J21 J23 J24 J25 J18 J22 J26 J31 P12

