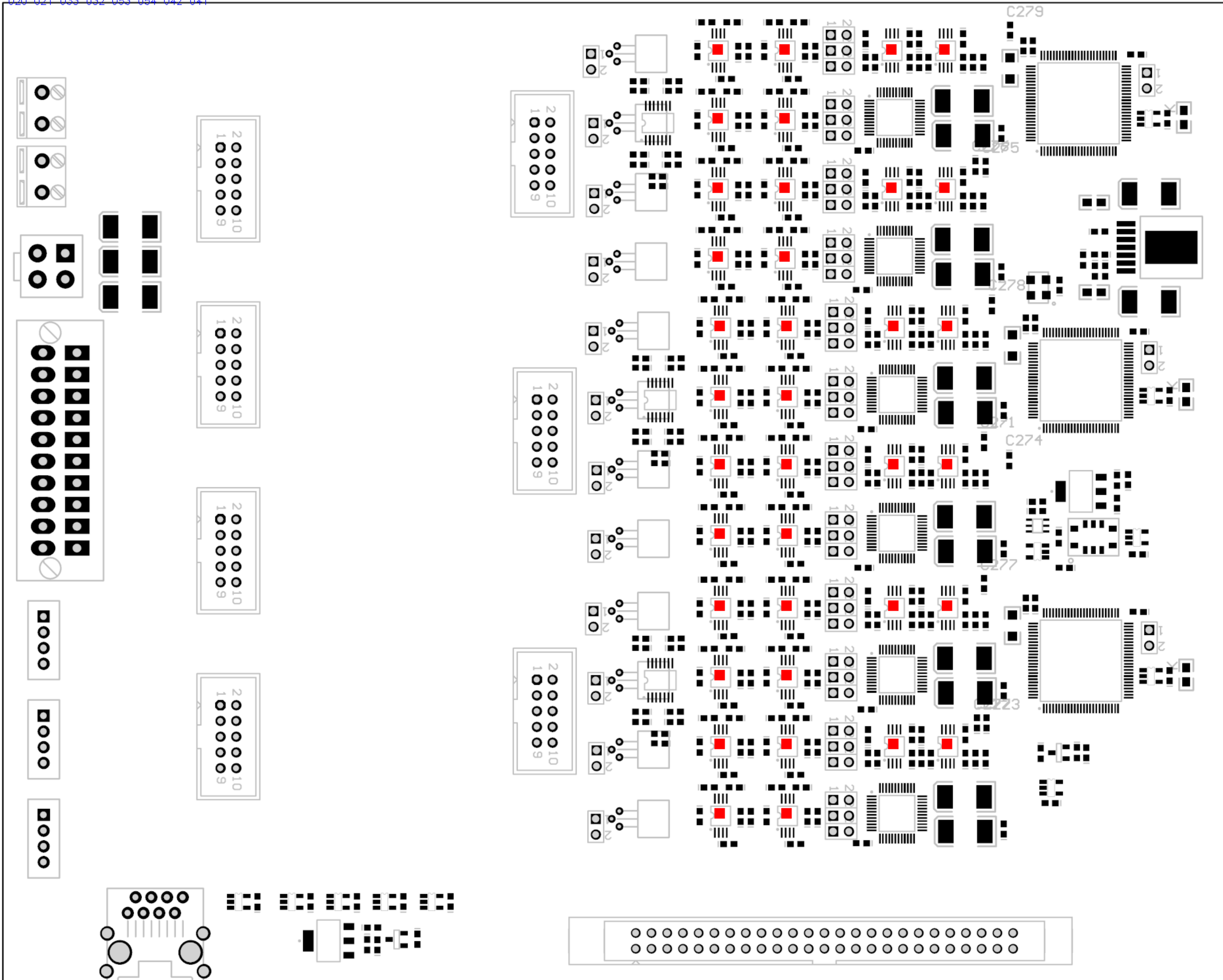
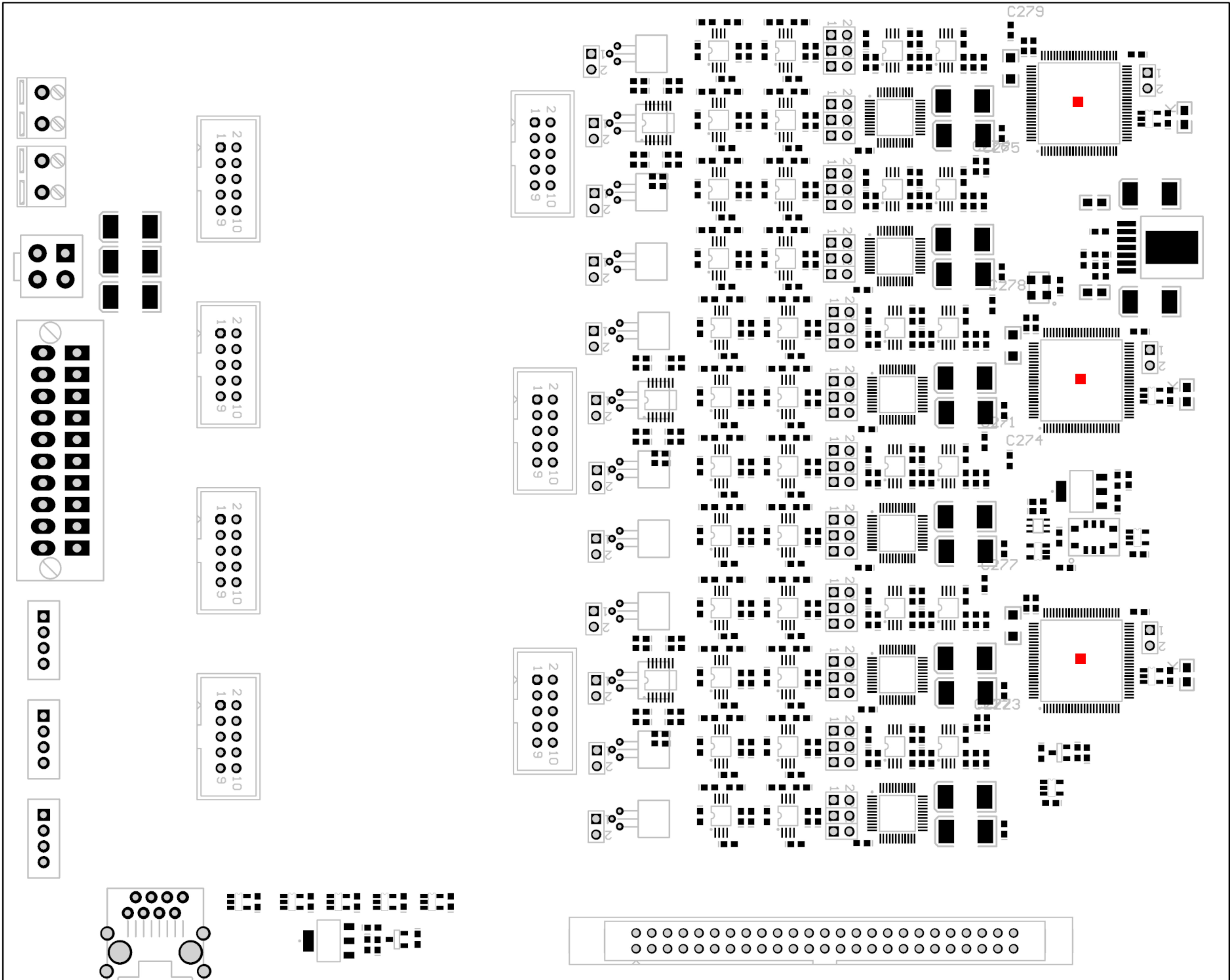
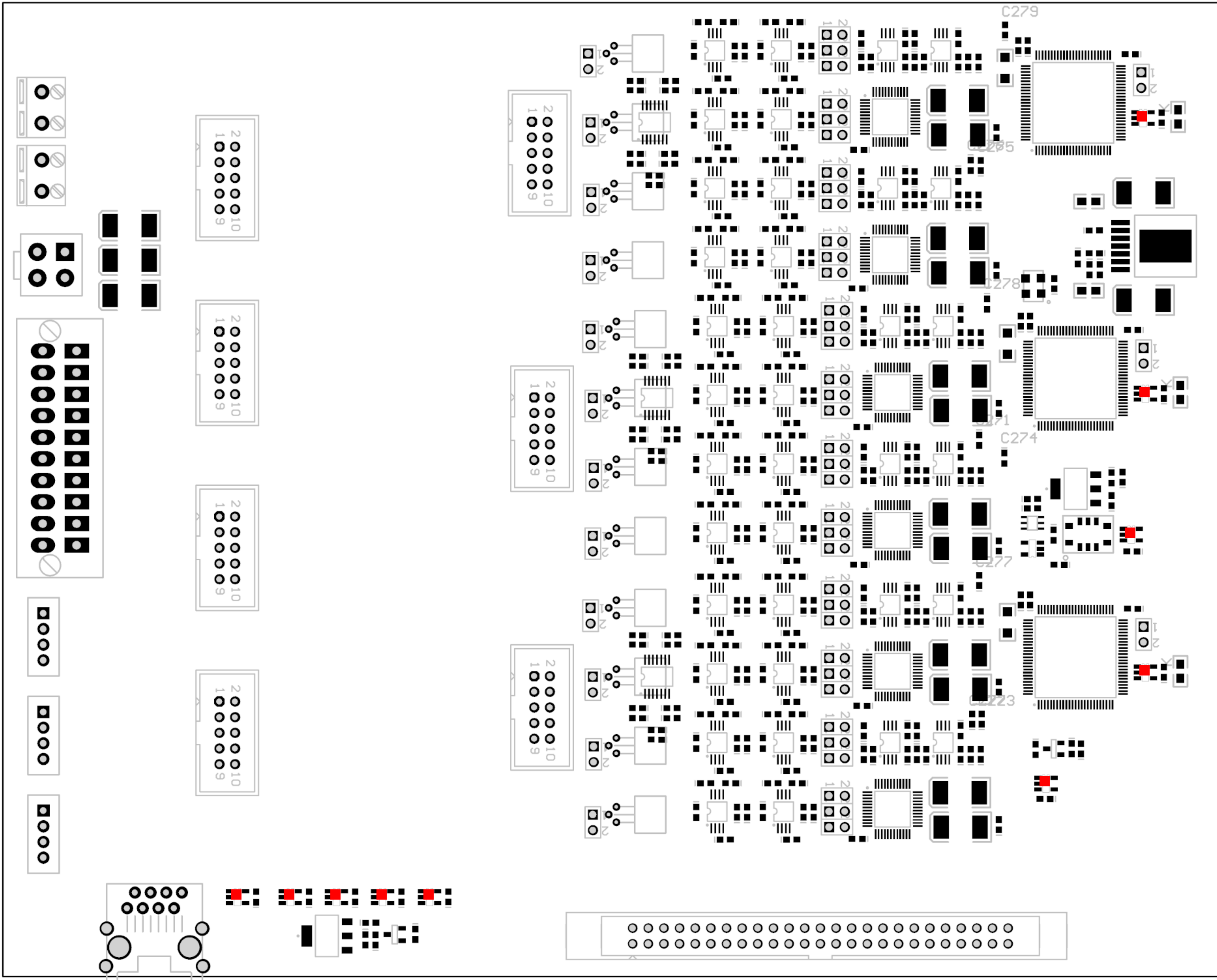
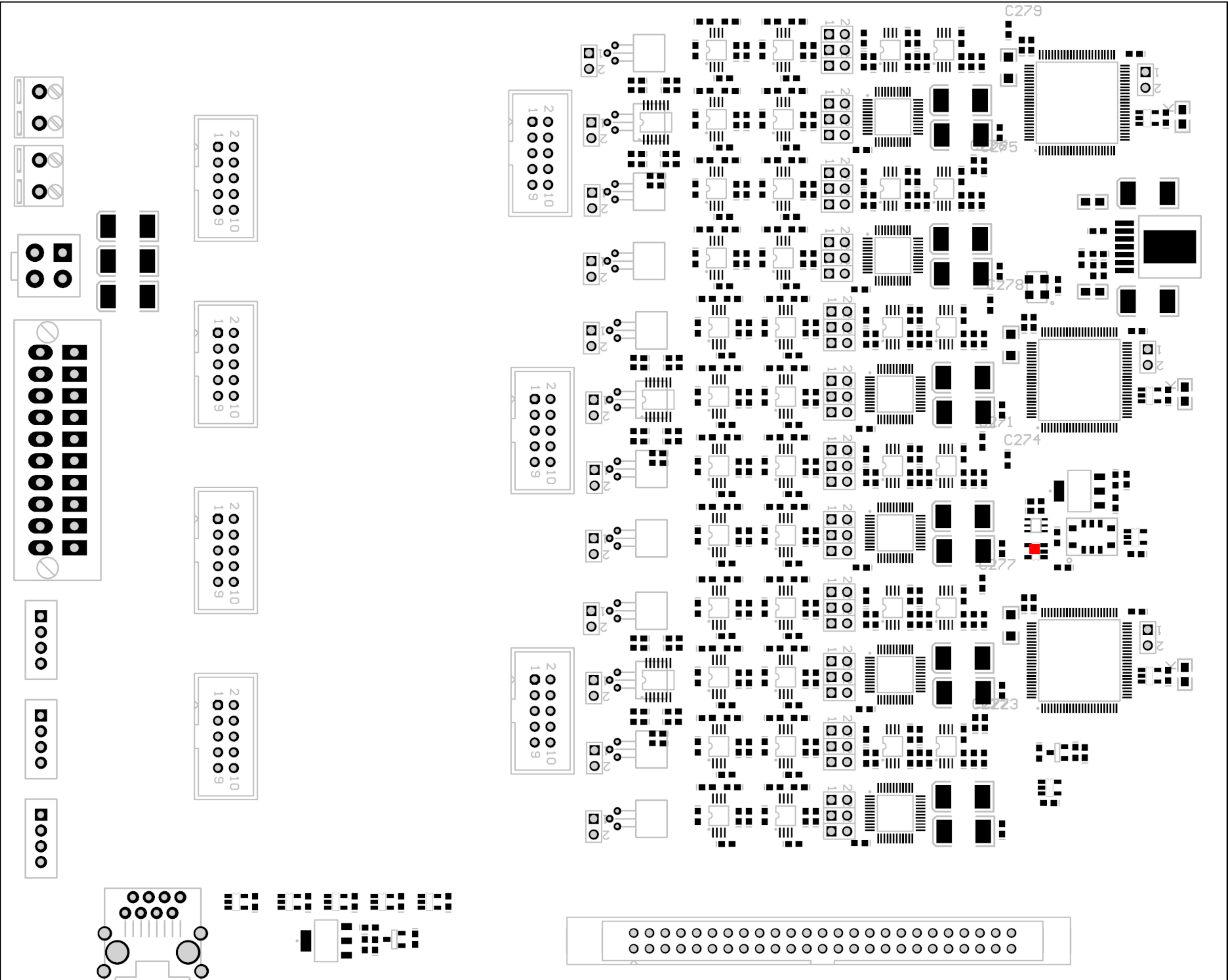


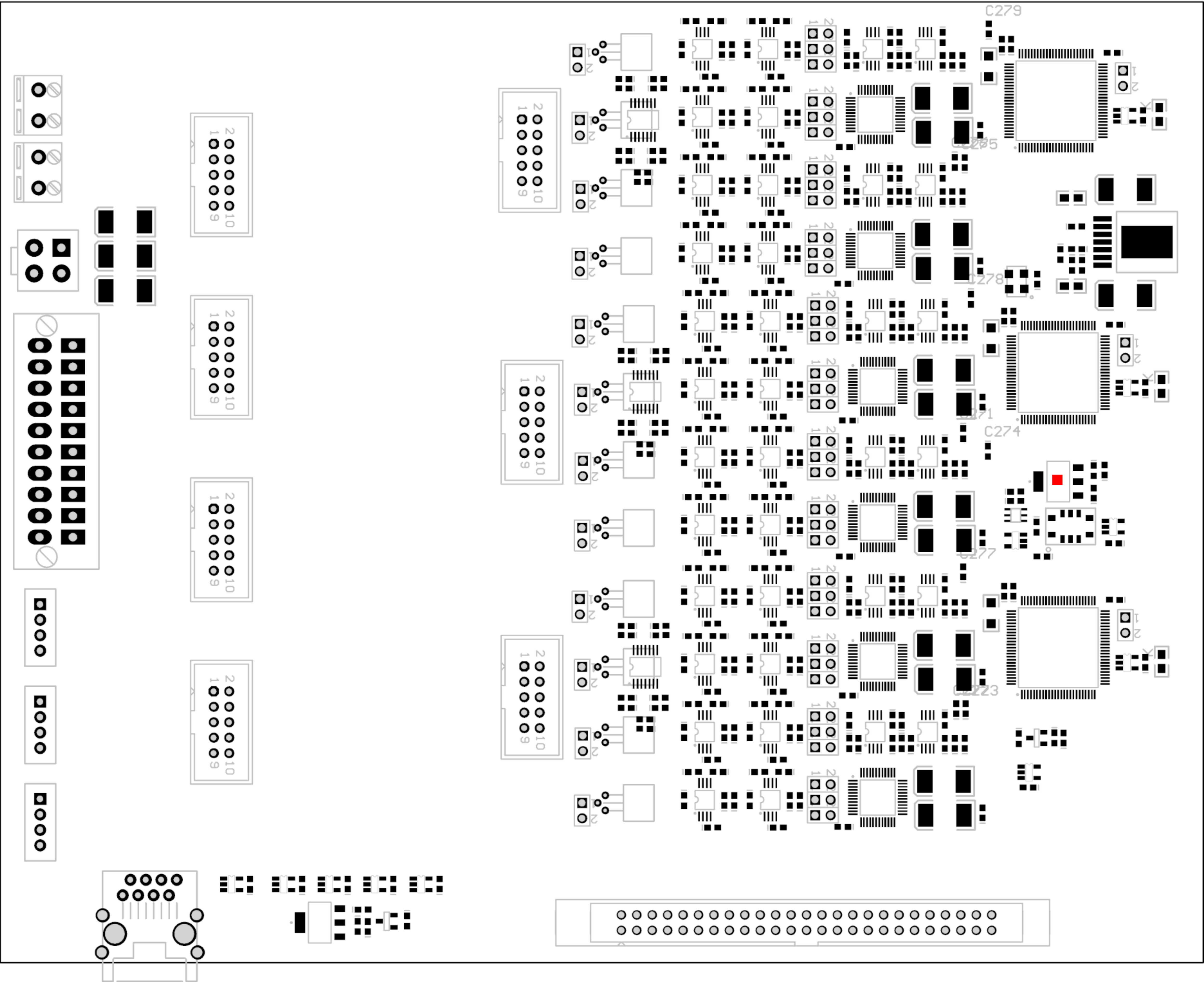
AD8675
Q=36
U52 U51 U47 U48 U37 U36 U39 U40 U61
U60 U57 U58 U69 U68 U72 U73 U62 U63
U75 U74 U19 U18 U15 U16 U27 U26 U30
U31 U20 U21 U33 U32 U53 U54 U42 U41

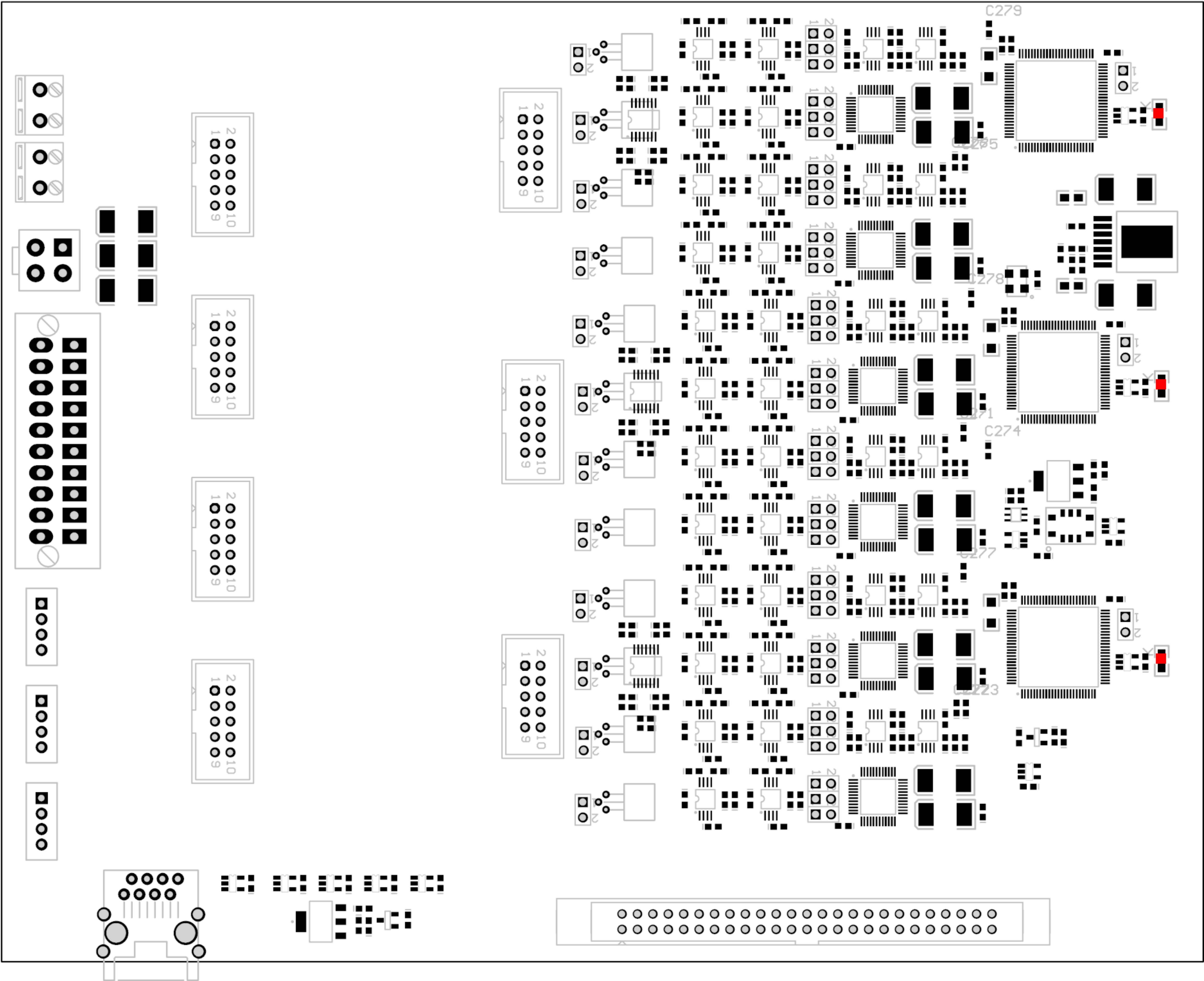


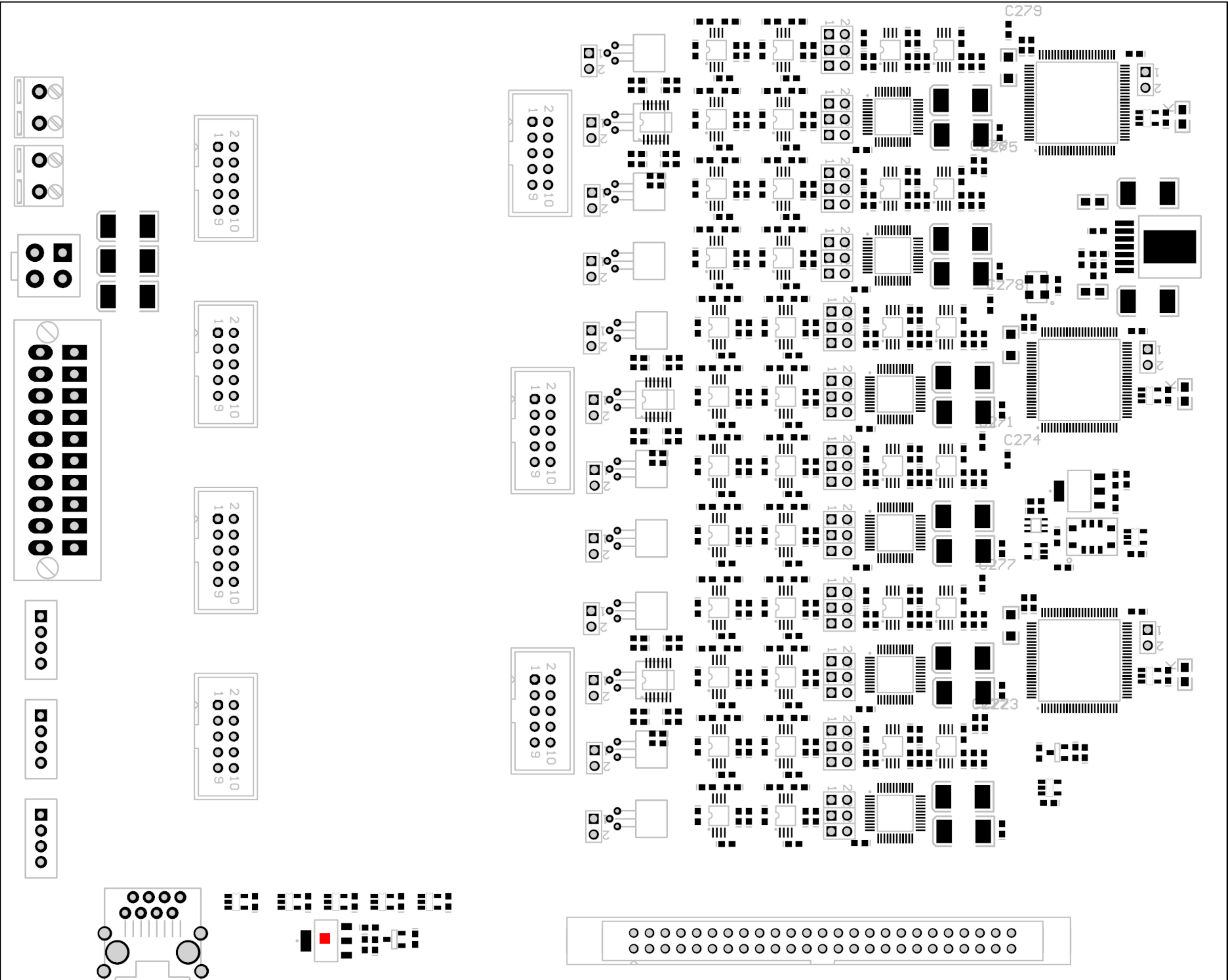


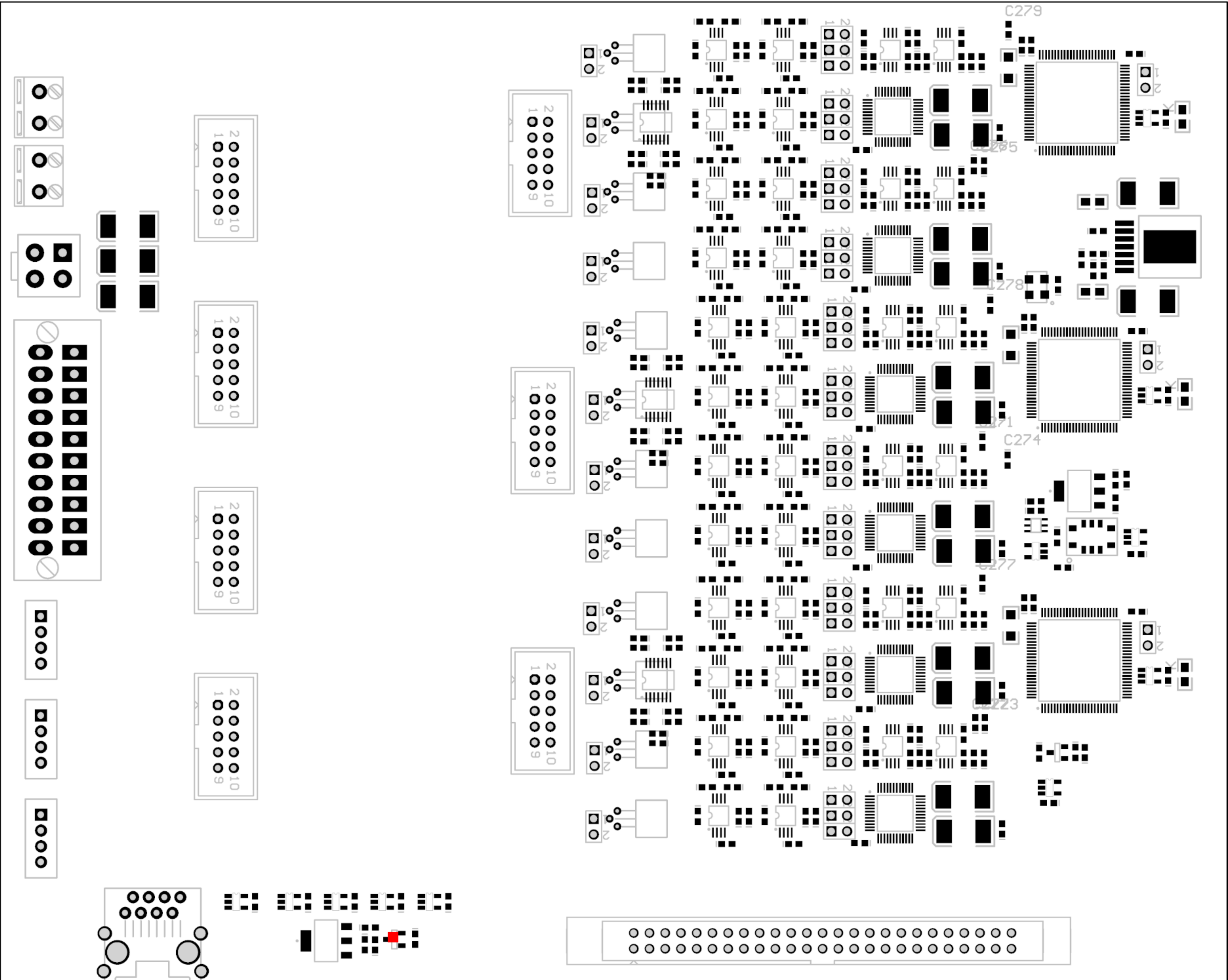


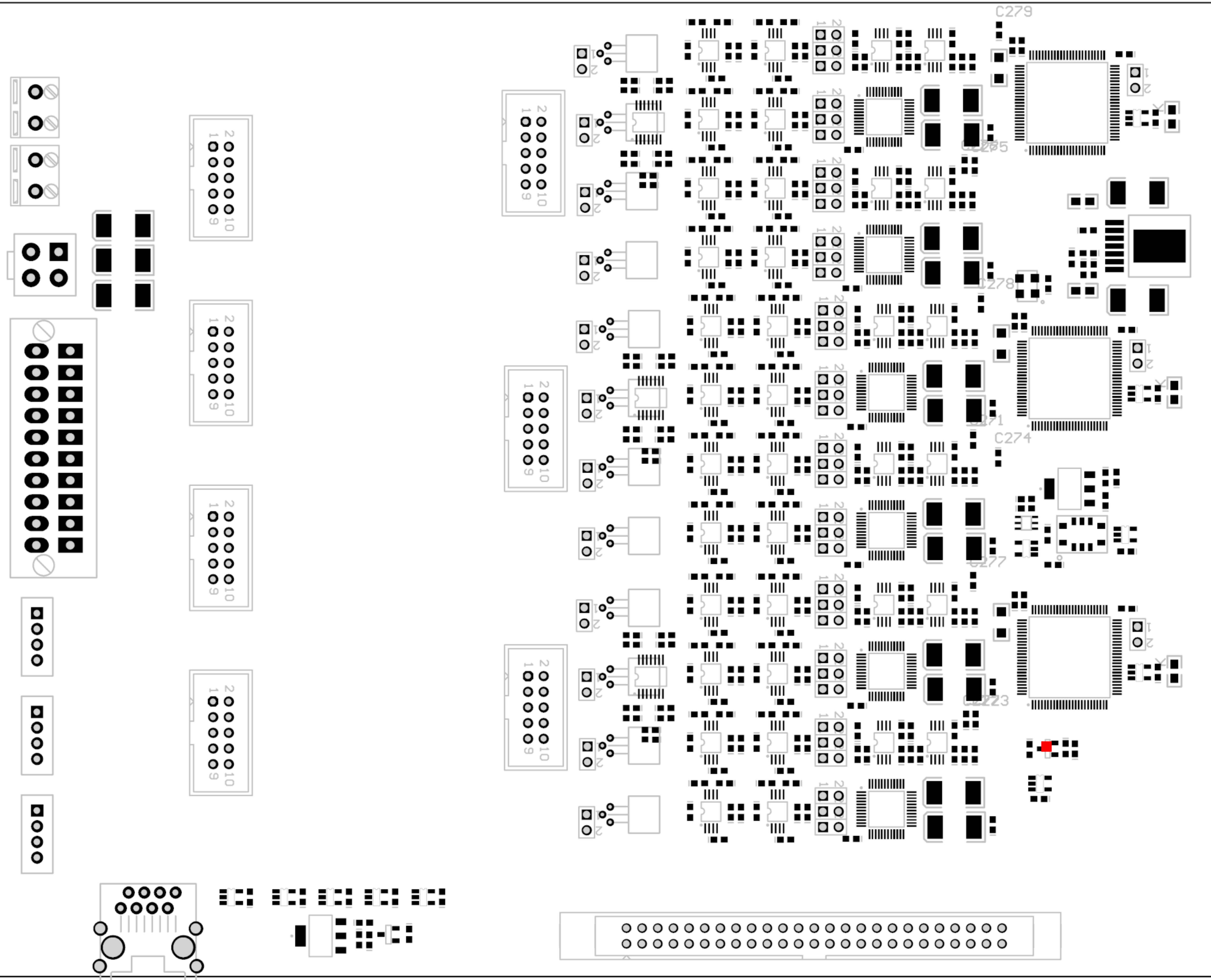


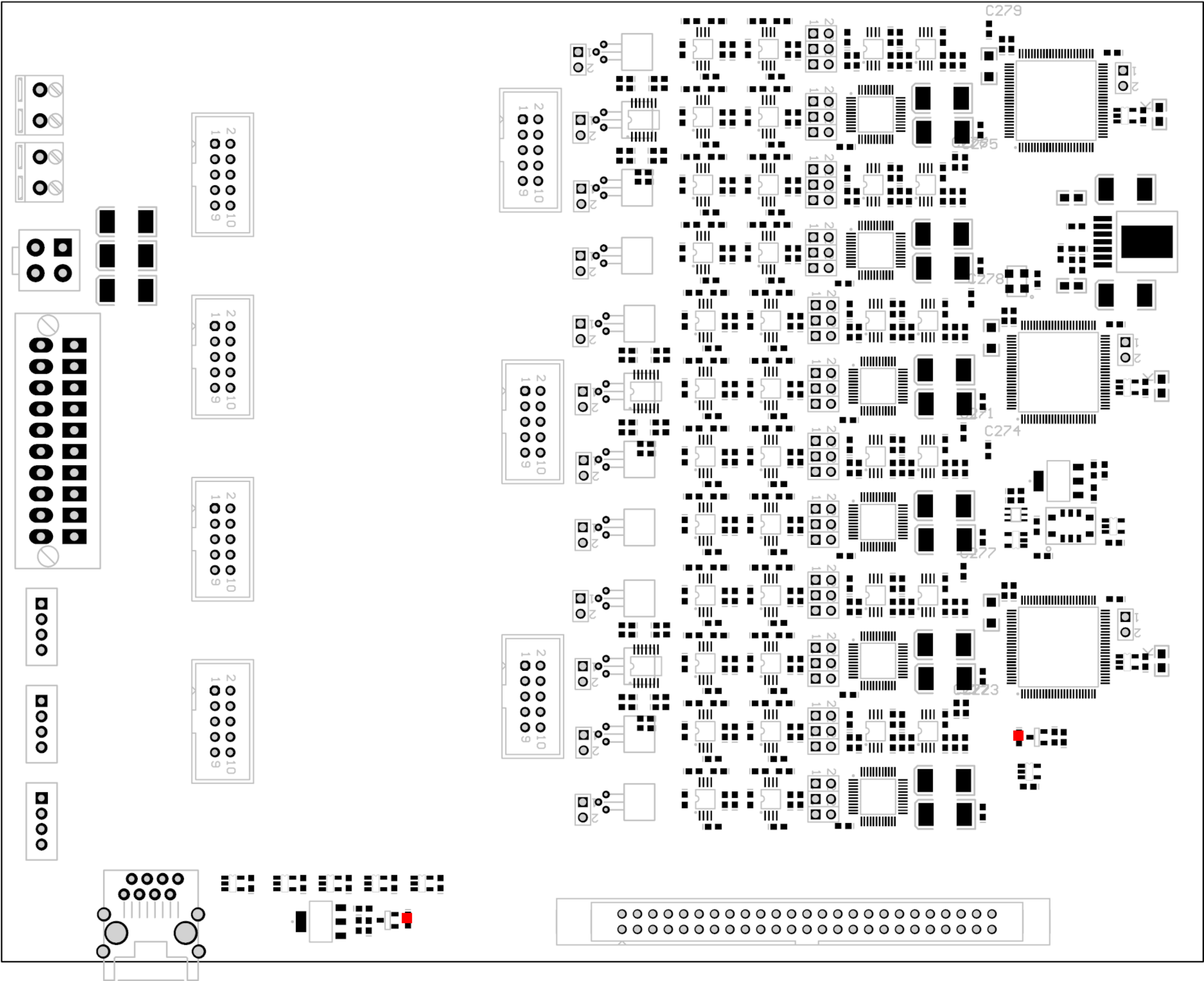












2 0 0 0 0 0 1 0
1 0 0 0 0 0 9

2 0 0 0 0 0 1 0
1 0 0 0 0 0 9

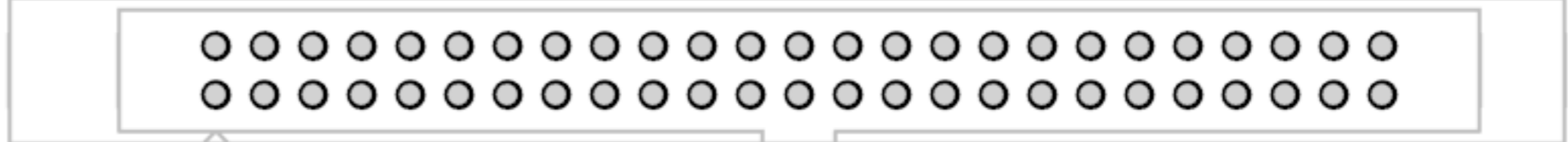
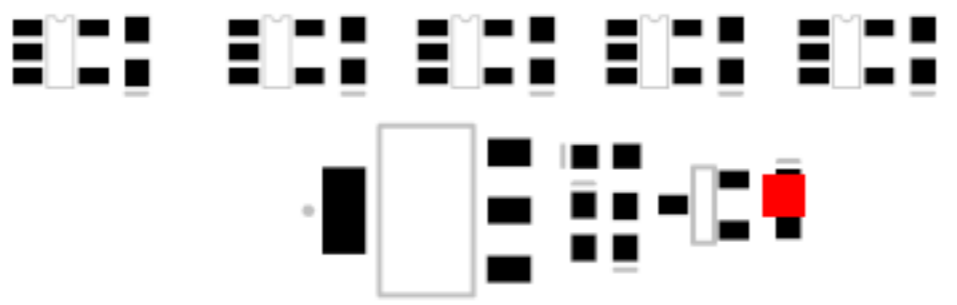
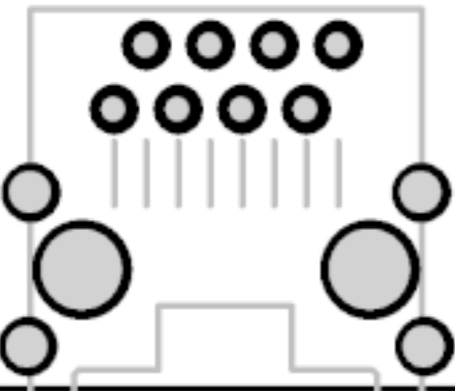
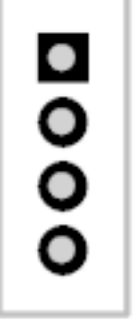
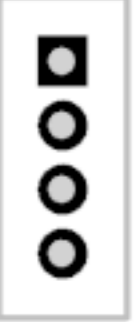
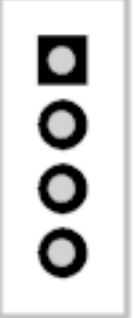
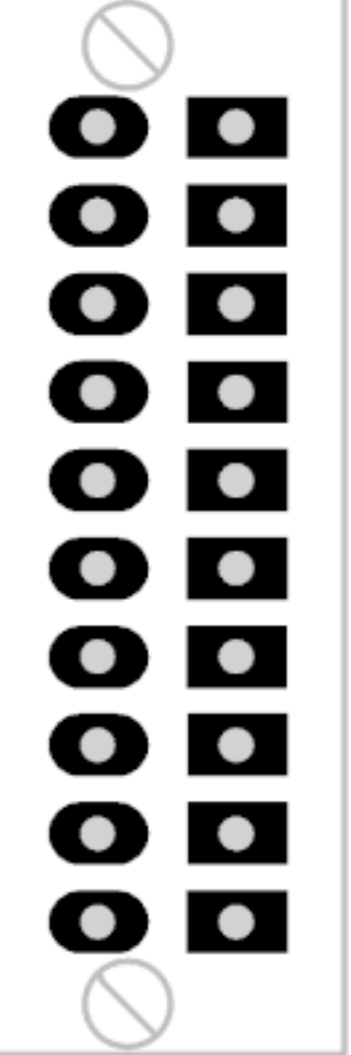
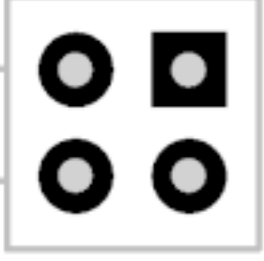
2 0 0 0 0 0 1 0
1 0 0 0 0 0 9

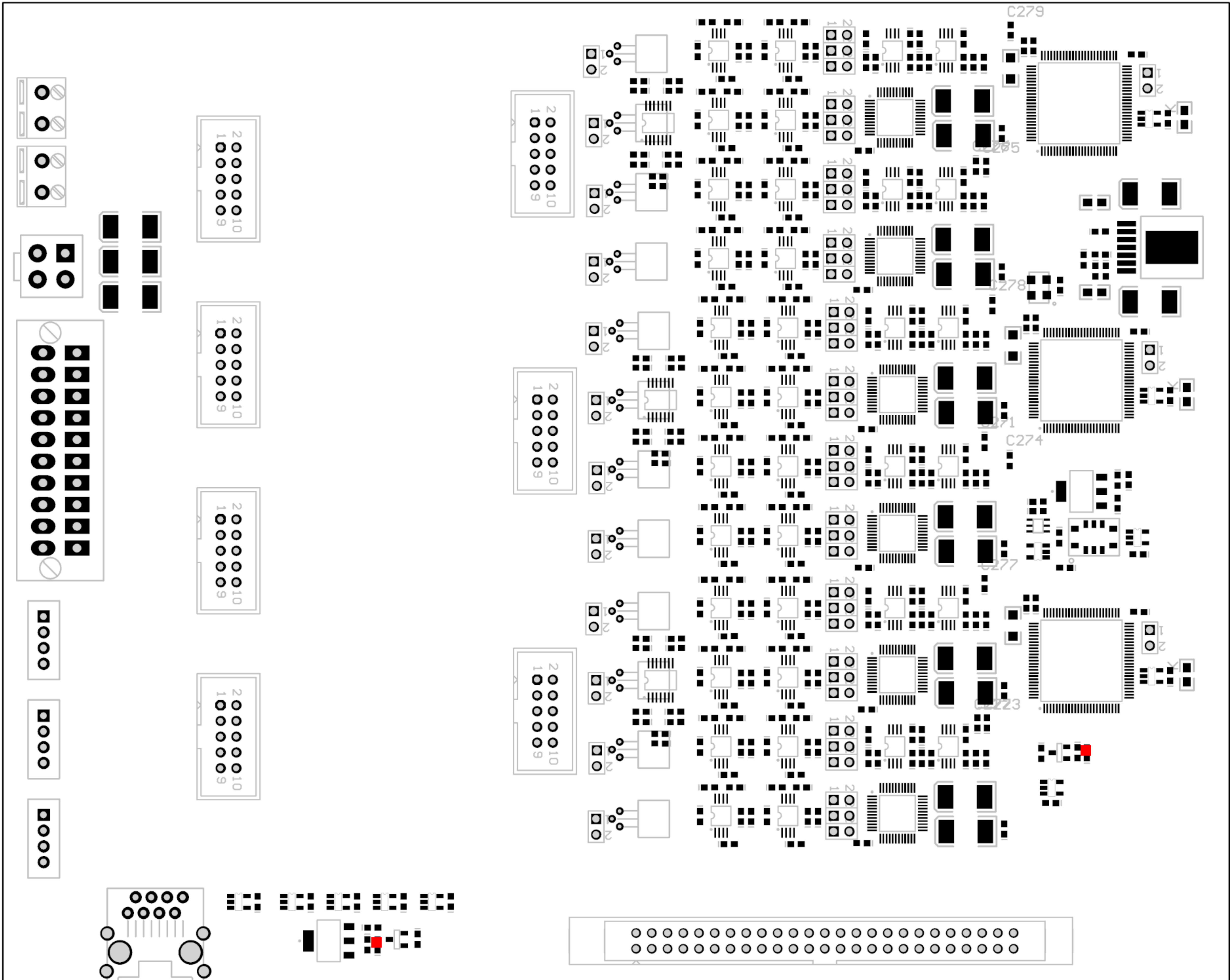
2 0 0 0 0 0 1 0
1 0 0 0 0 0 9

2 0 0 0 0 0 1 0
1 0 0 0 0 0 9

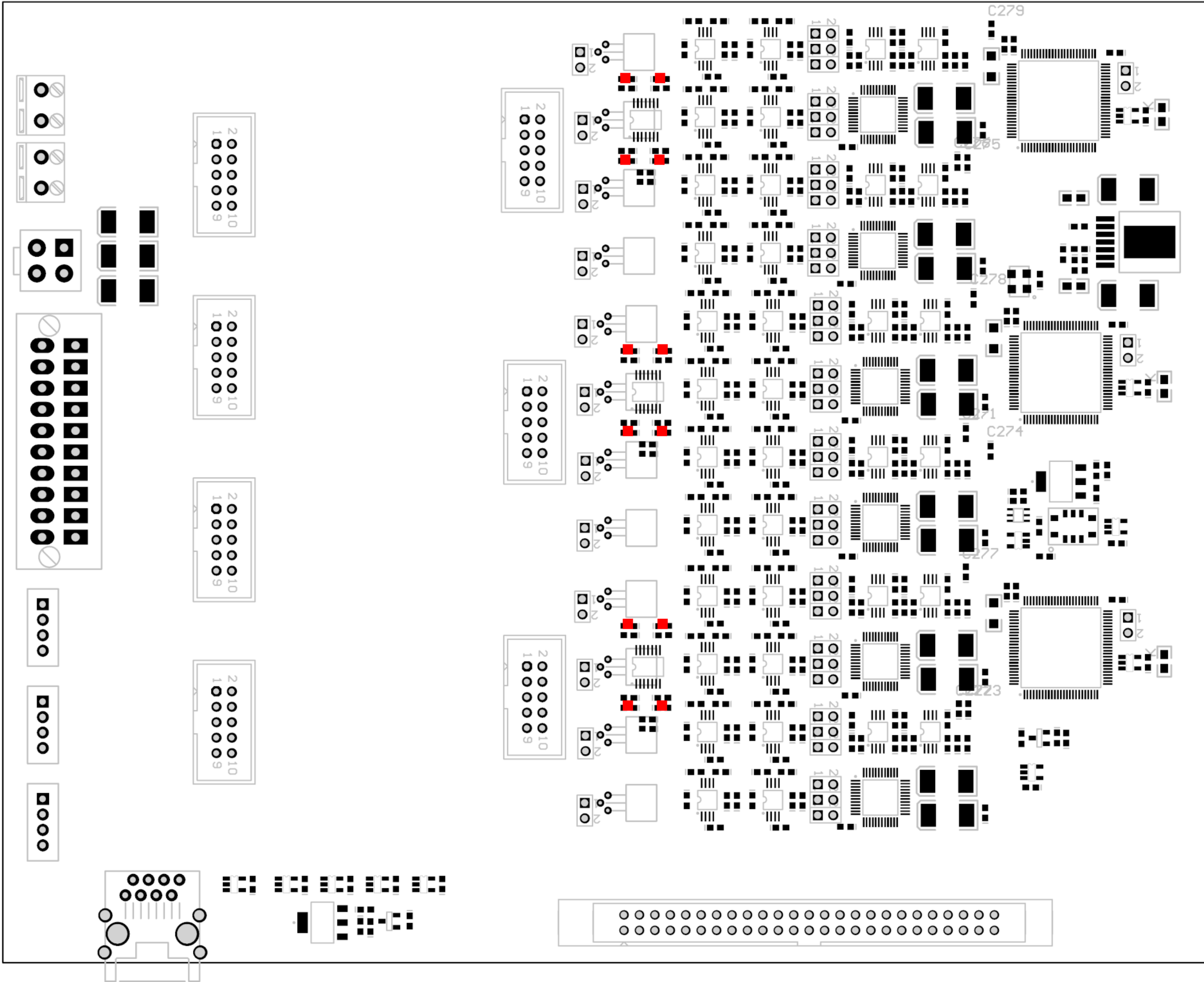
2 0 0 0 0 0 1 0
1 0 0 0 0 0 9

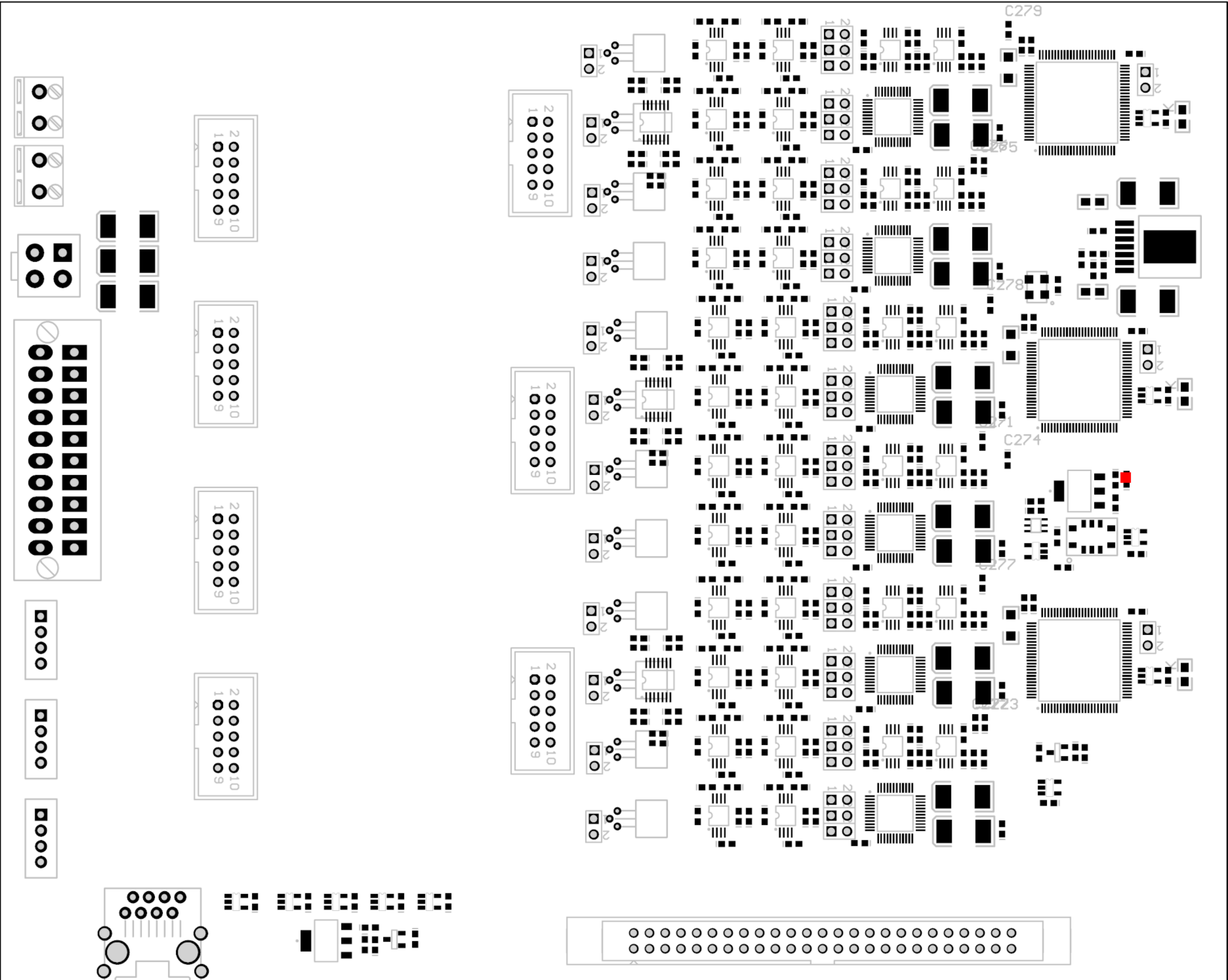
2 0 0 0 0 0 1 0
1 0 0 0 0 0 9

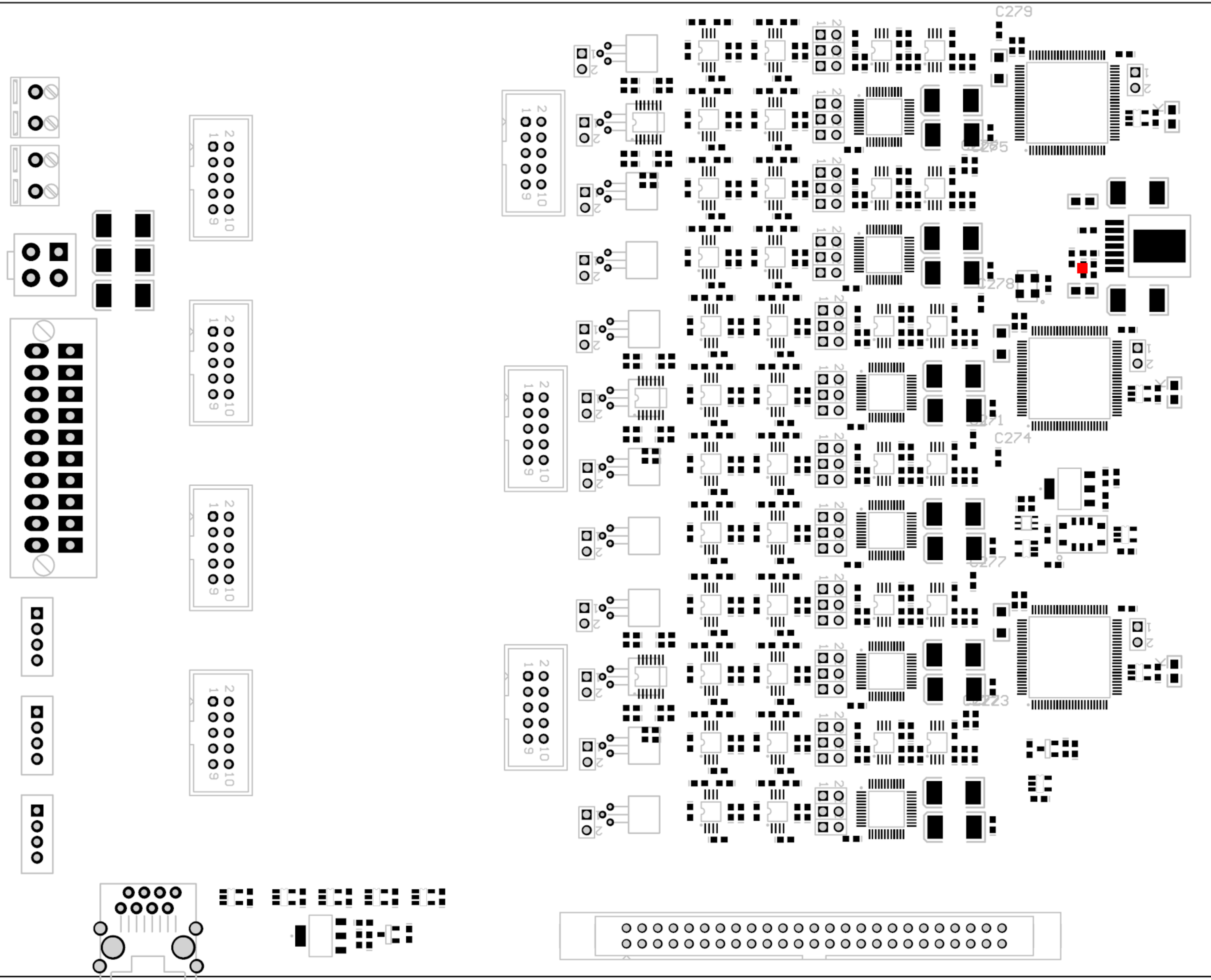




14K-0603-D.1%
Q=12
R73 R84 R74 R85 R126 R115 R125 R114
R44 R33 R43 R32

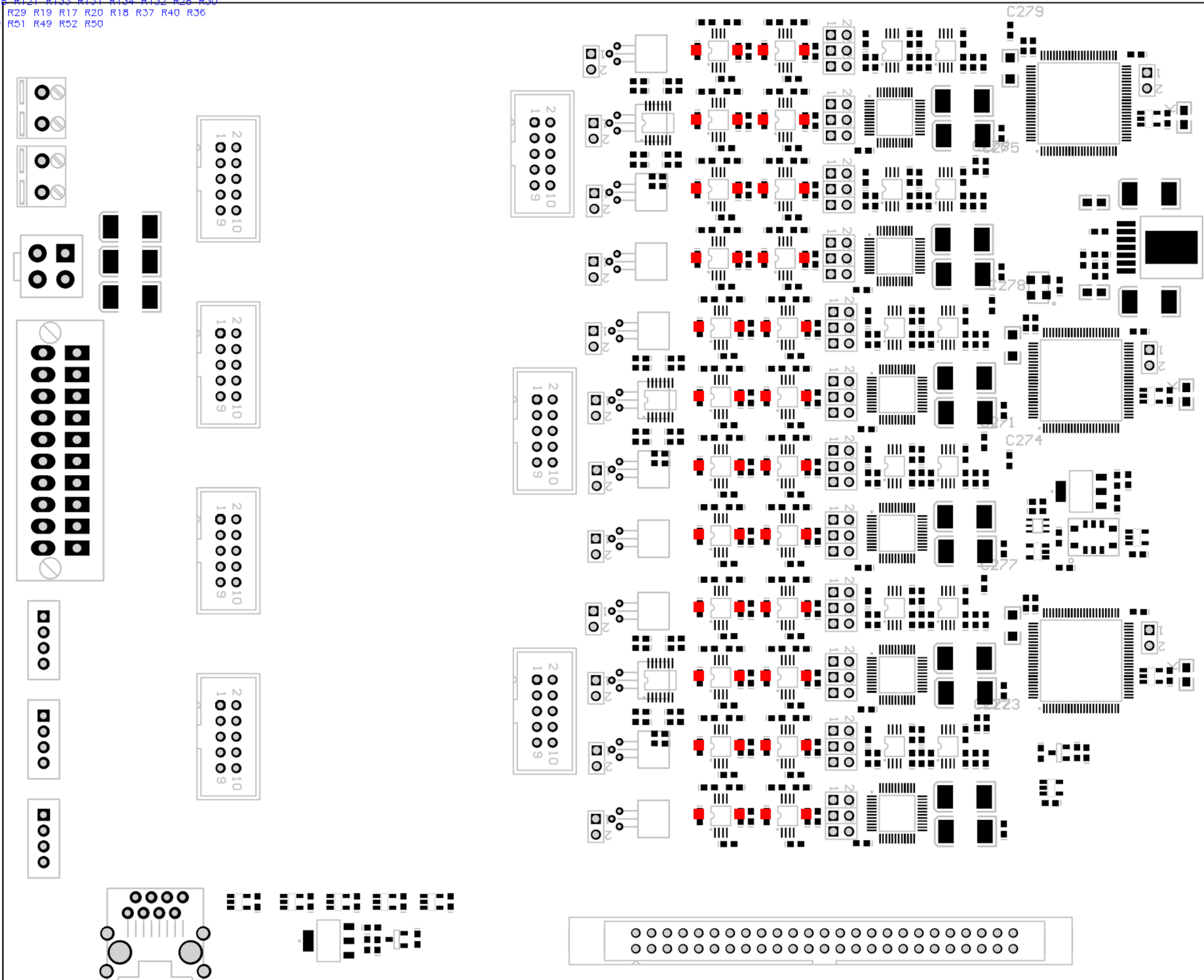


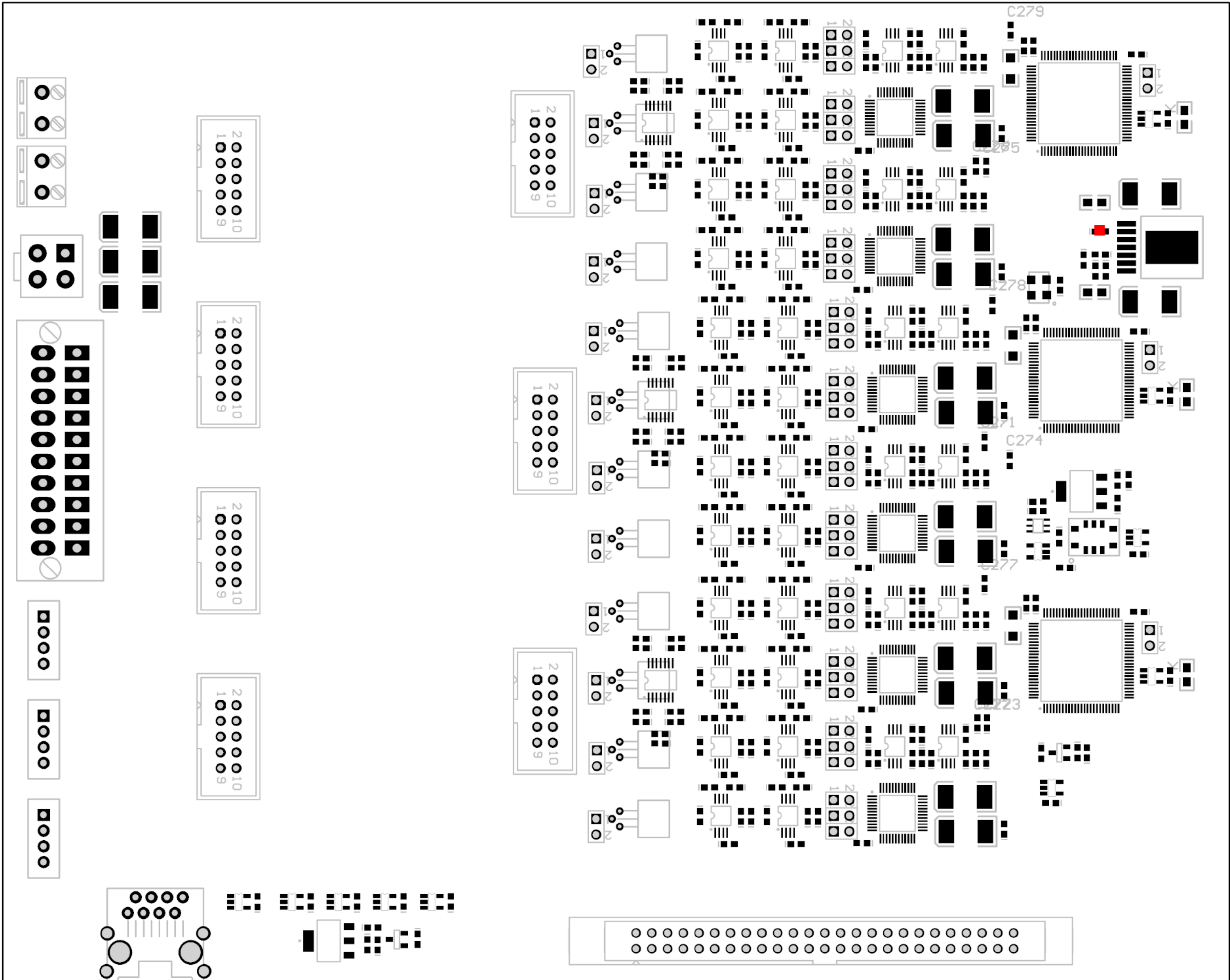




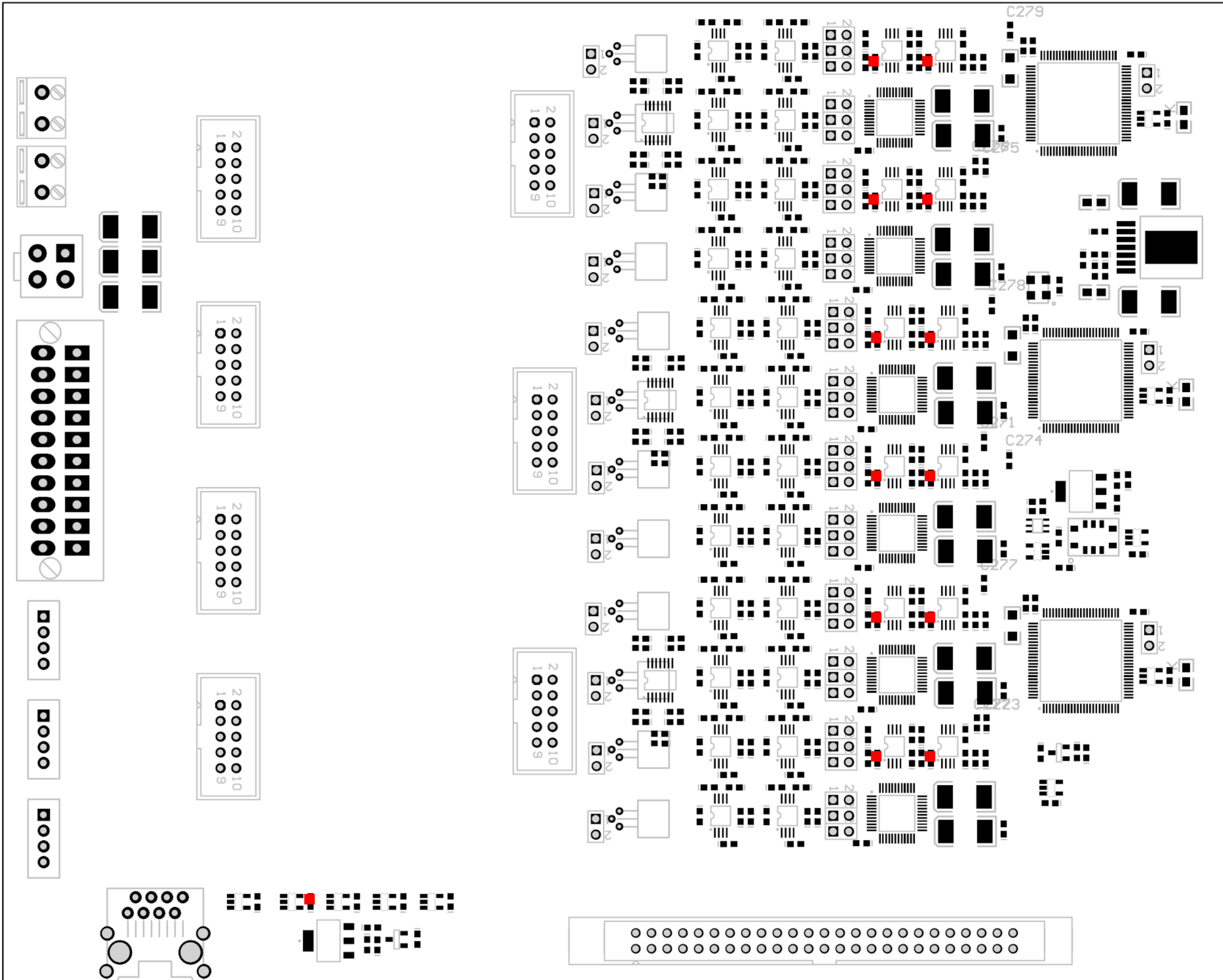
Z.2K-0603
Q=48

R91 R93 R90 R92 R80 R77 R81 R78 R59
R61 R58 R60 R70 R68 R71 R69 R110 R112
R109 R111 R101 R99 R102 R100 R119 R122
R118 R121 R133 R131 R134 R132 R28 R30
R27 R29 R19 R17 R20 R18 R37 R40 R36
R39 R51 R49 R52 R50

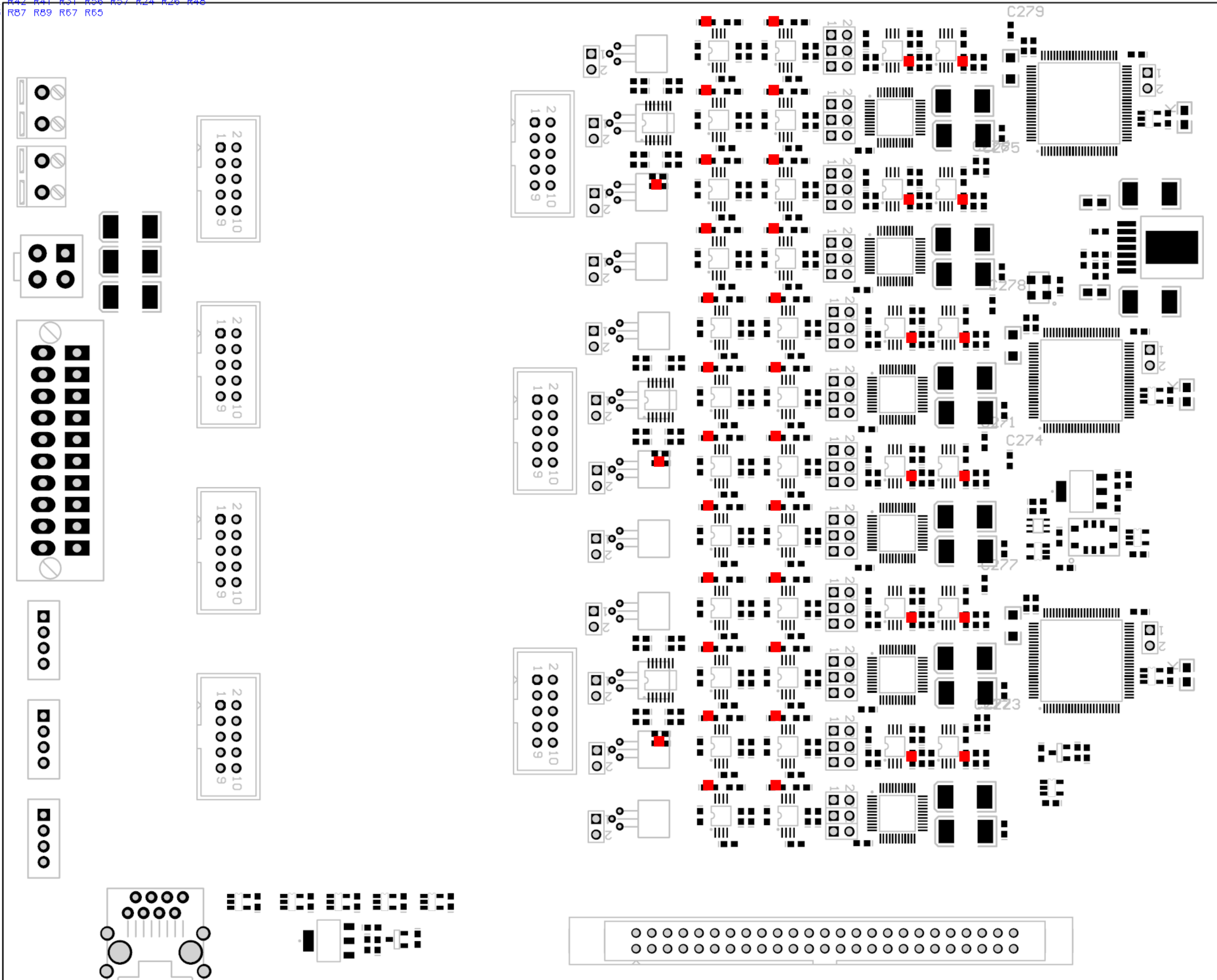


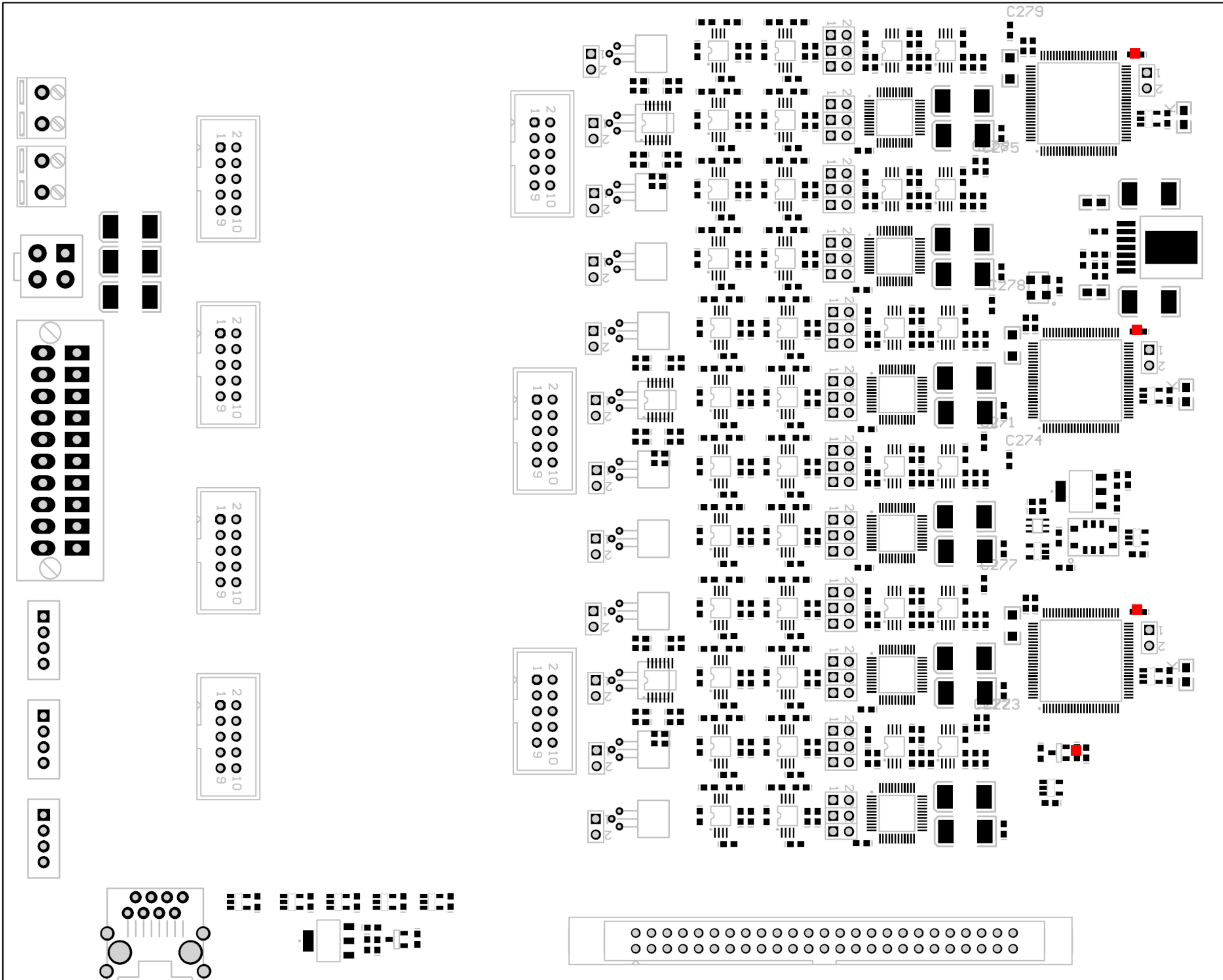


DR-0603
Q=13
R105 R107 R129 R127 R11 R23 R25 R47
R45 R85 R88 R66 R64

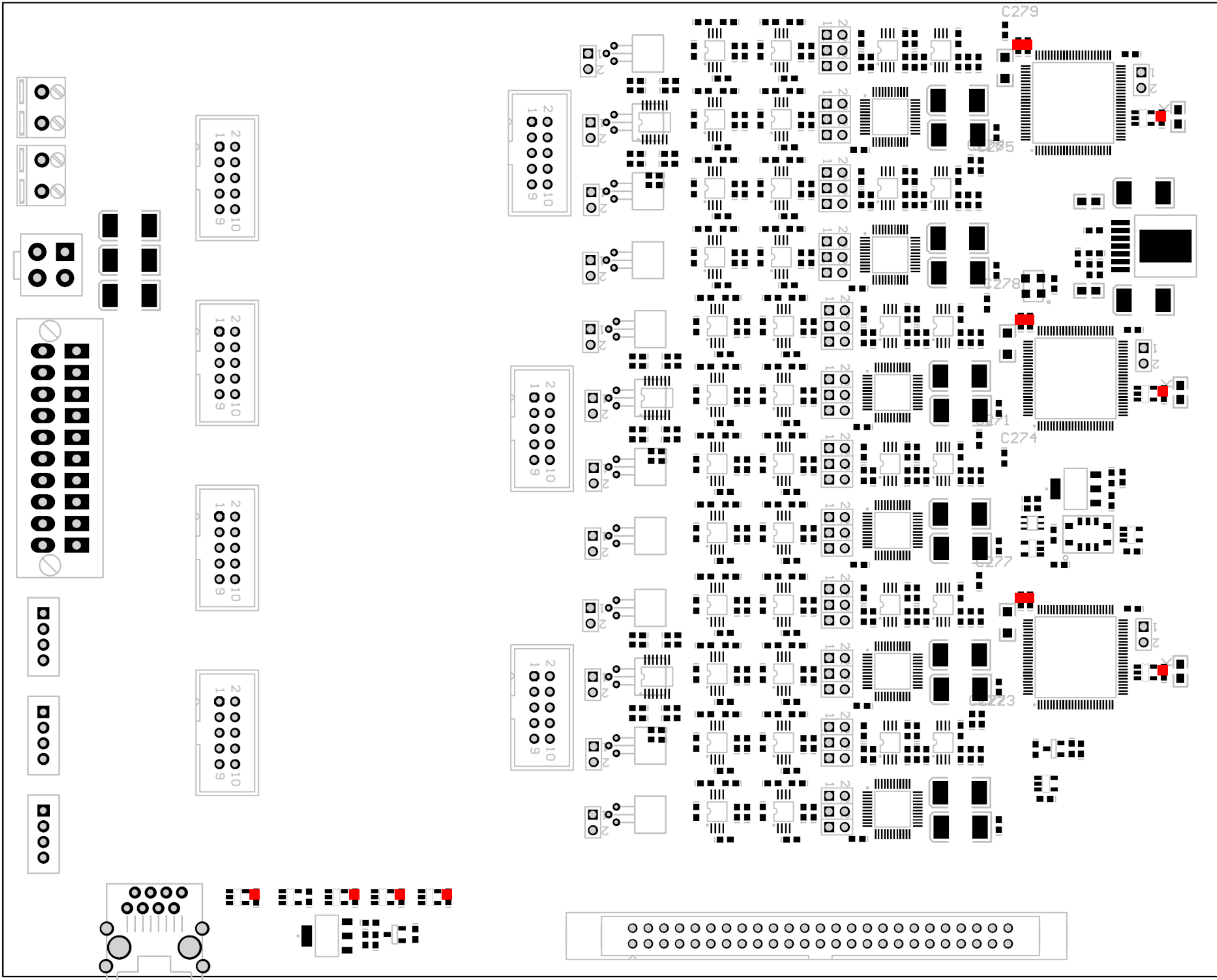


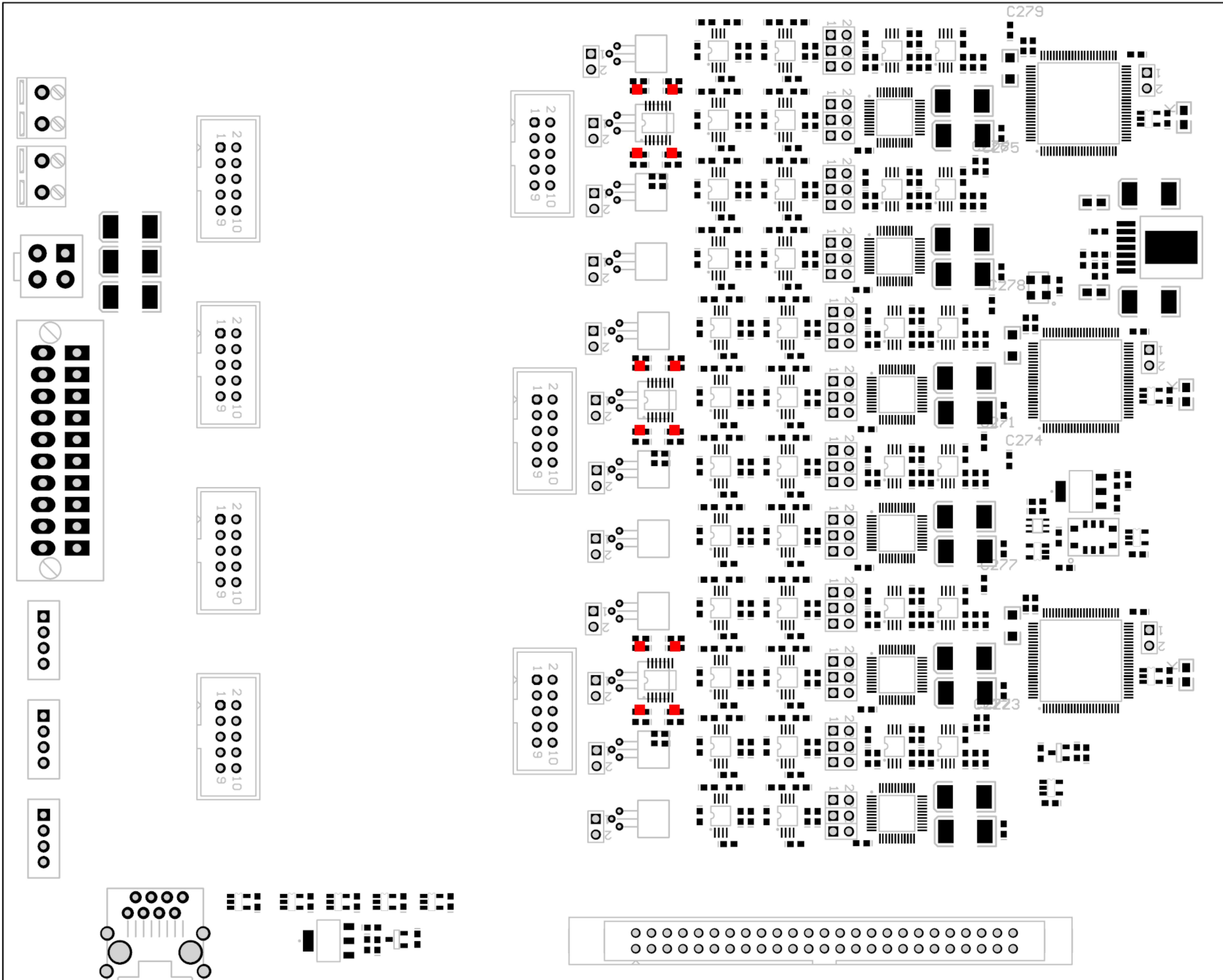
470R-0603
Q=39
R98 R97 R72 R82 R83 R63 R62 R75 R76
R117 R116 R103 R104 R124 R123 R113 R138
R139 R106 R108 R130 R128 R35 R34 R21
R22 R42 R41 R31 R56 R57 R24 R26 R48
R46 R87 R89 R67 R65

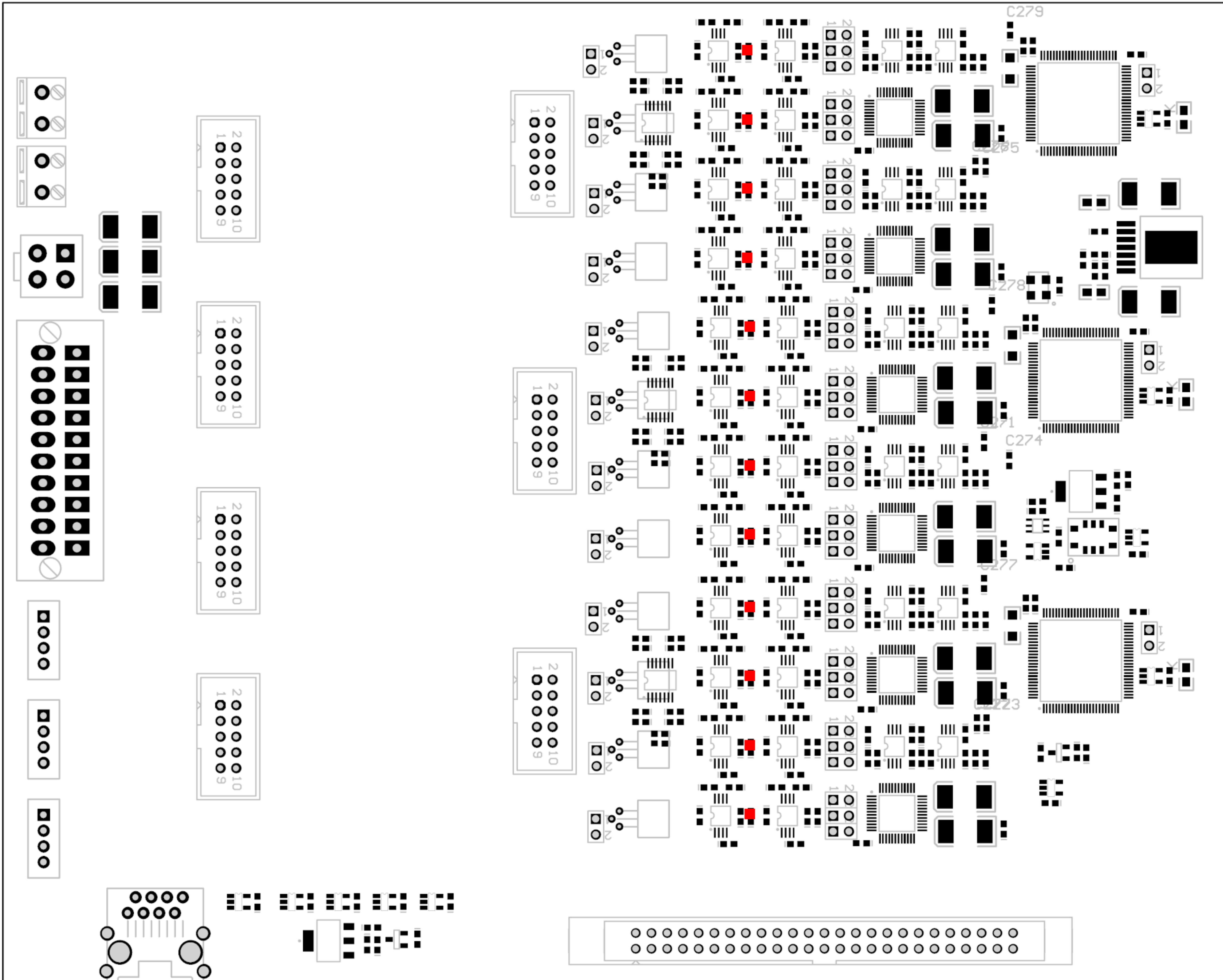




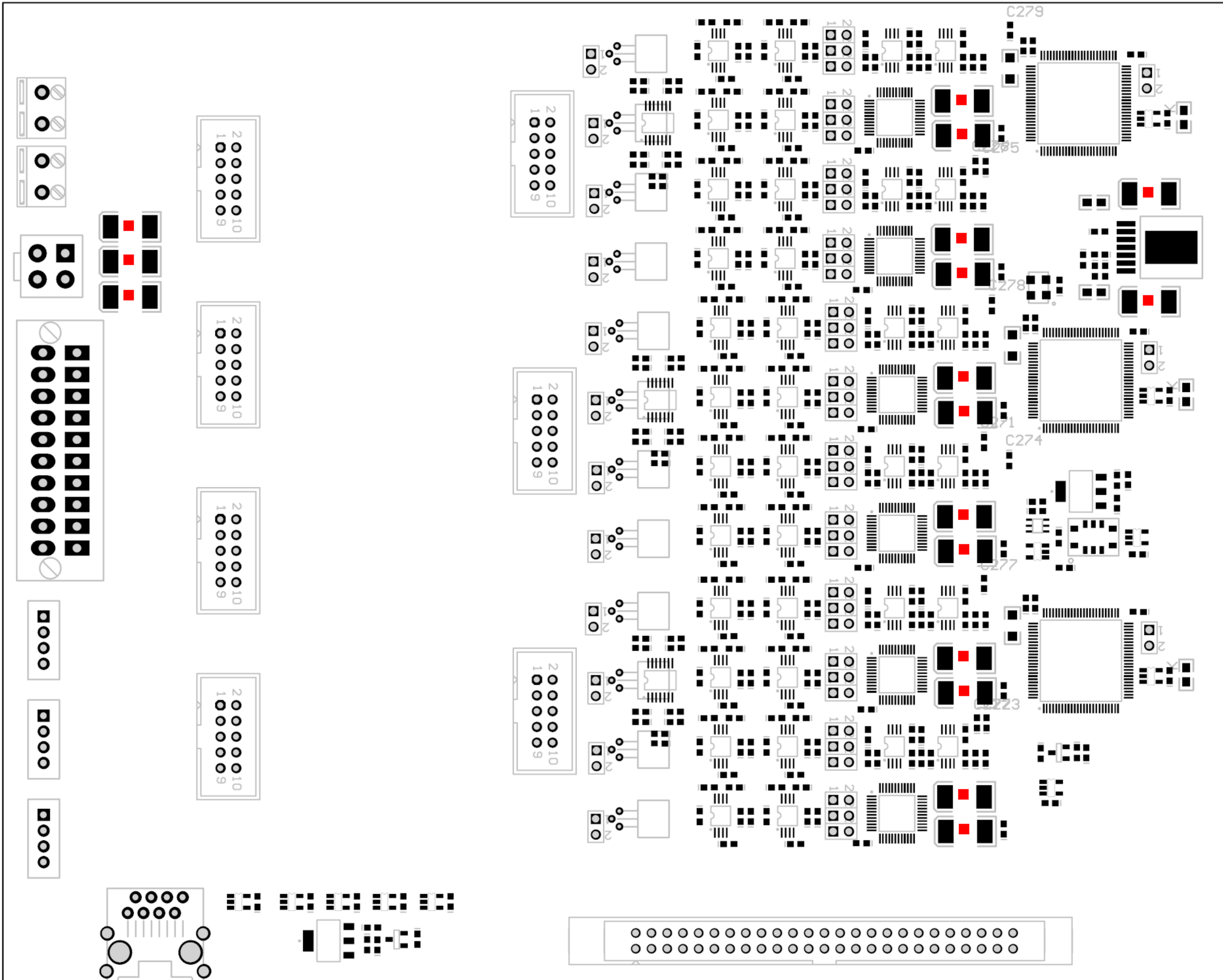
39R-0603
Q=13
R137 R136 R120 R55 R54 R38 R10 R14 R15
R16 R79 R95 R96







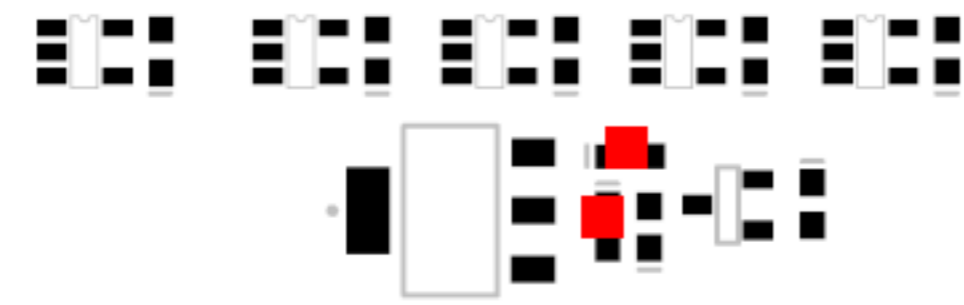
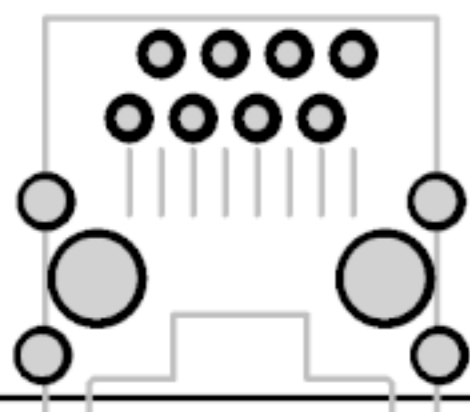
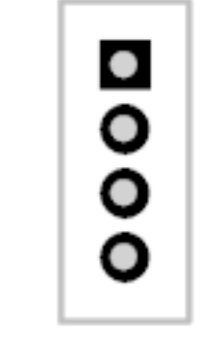
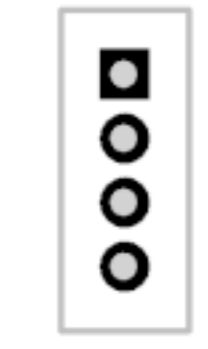
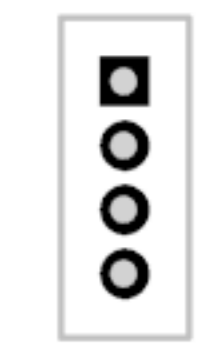
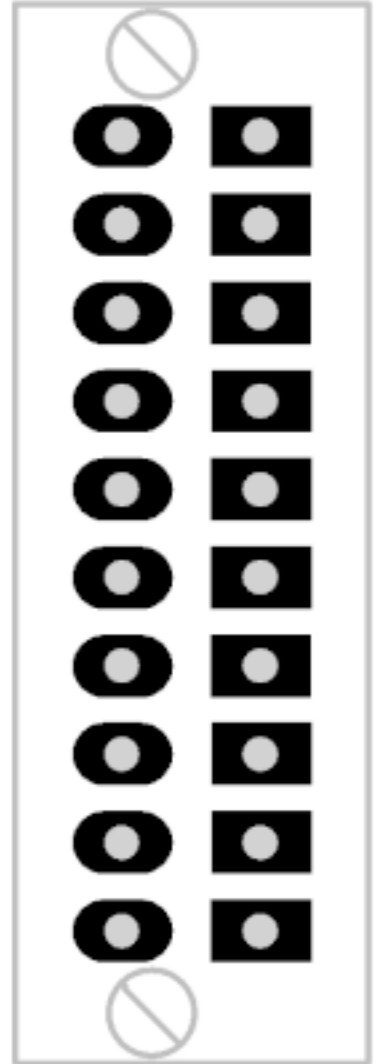
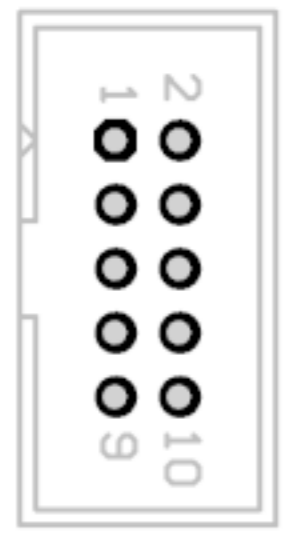
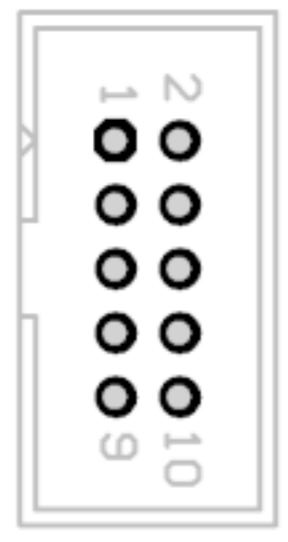
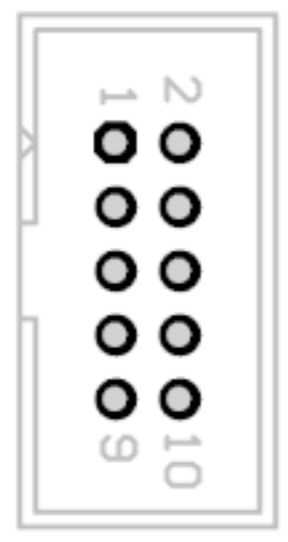
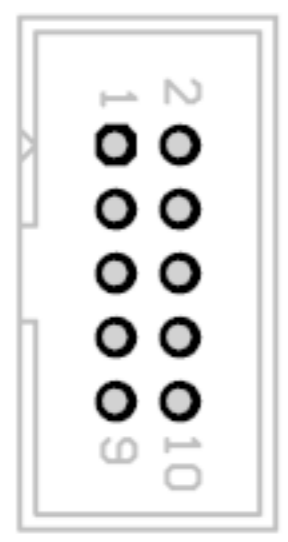
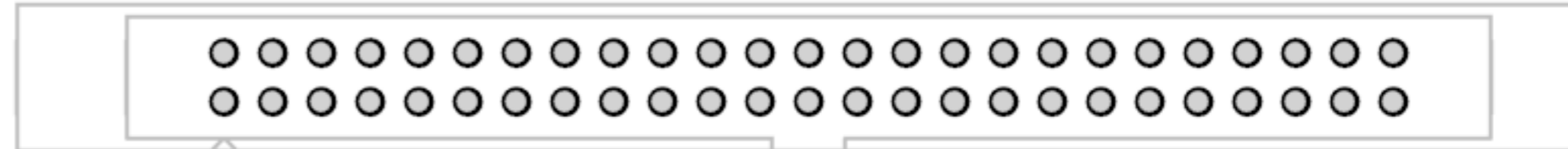
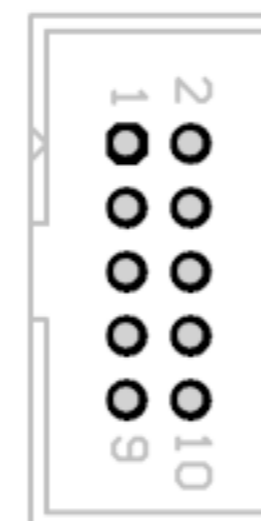
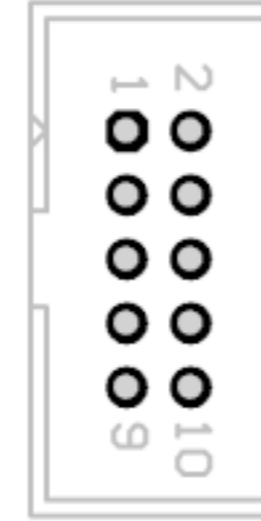
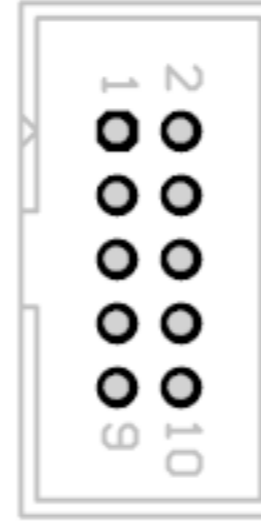
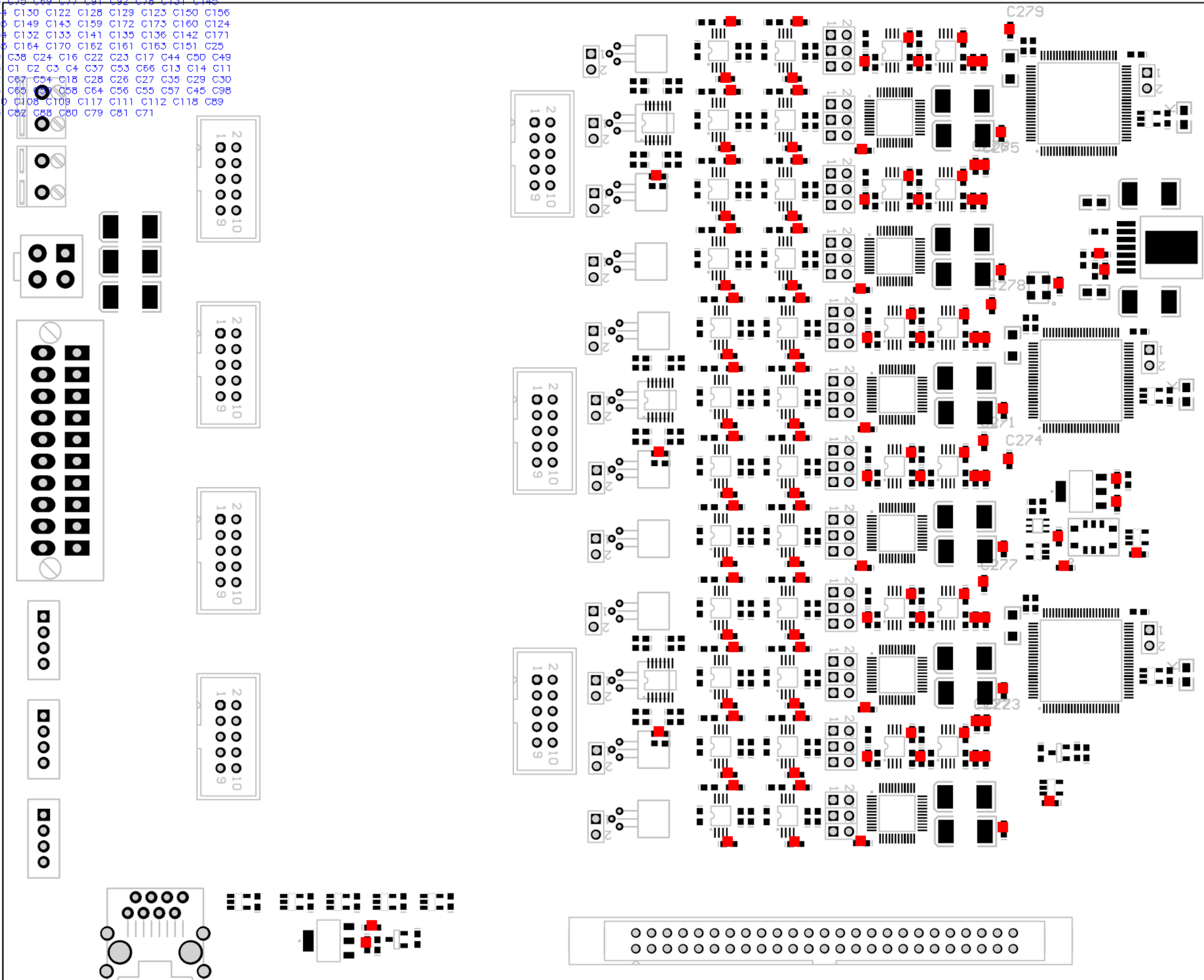
47U-LESR-C293D
Q=17
C269 C121 C127 C154 C148 C5 C6 C8 C7
C15 C21 C48 C42 C95 C101 C74 C68



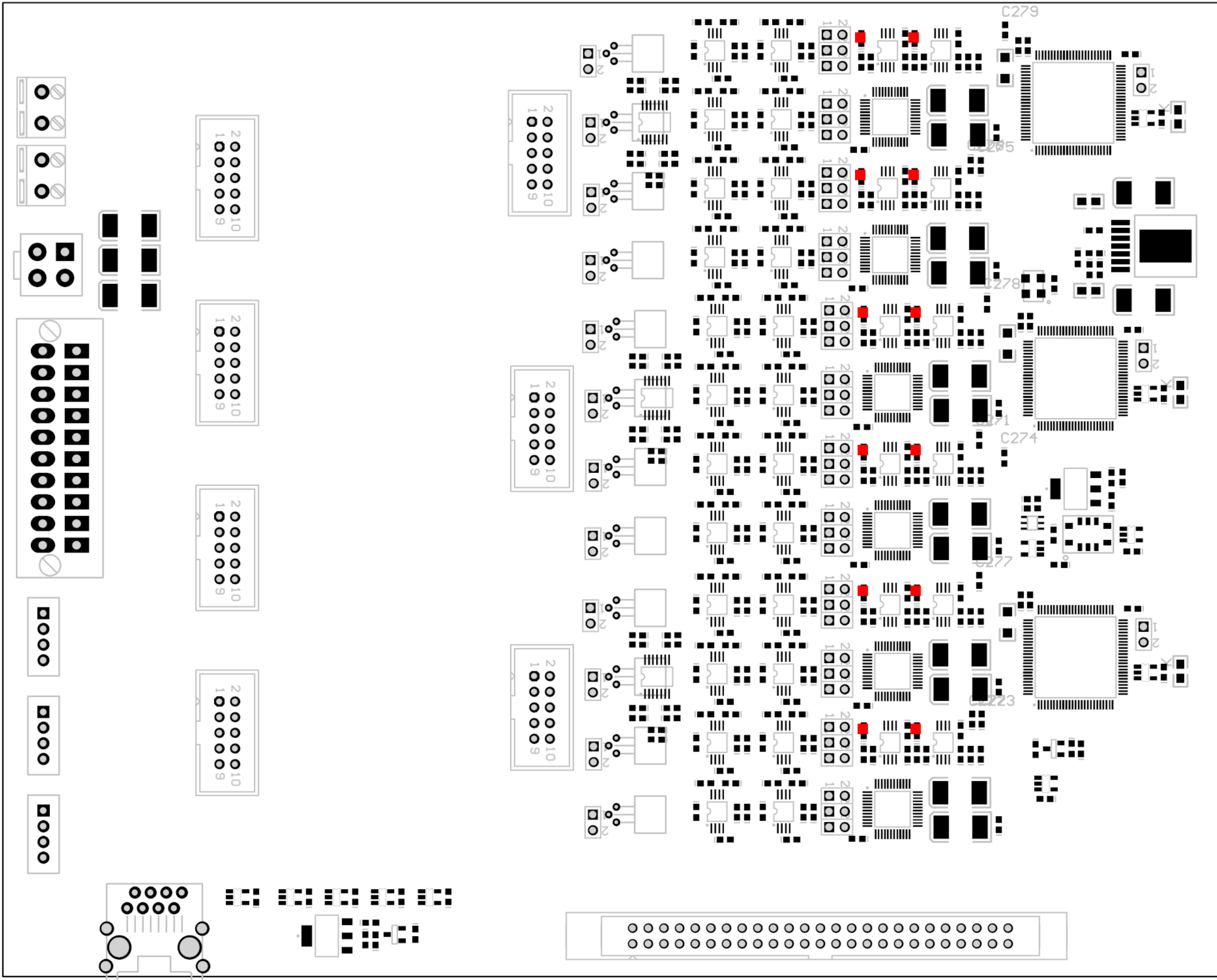
100N-0603

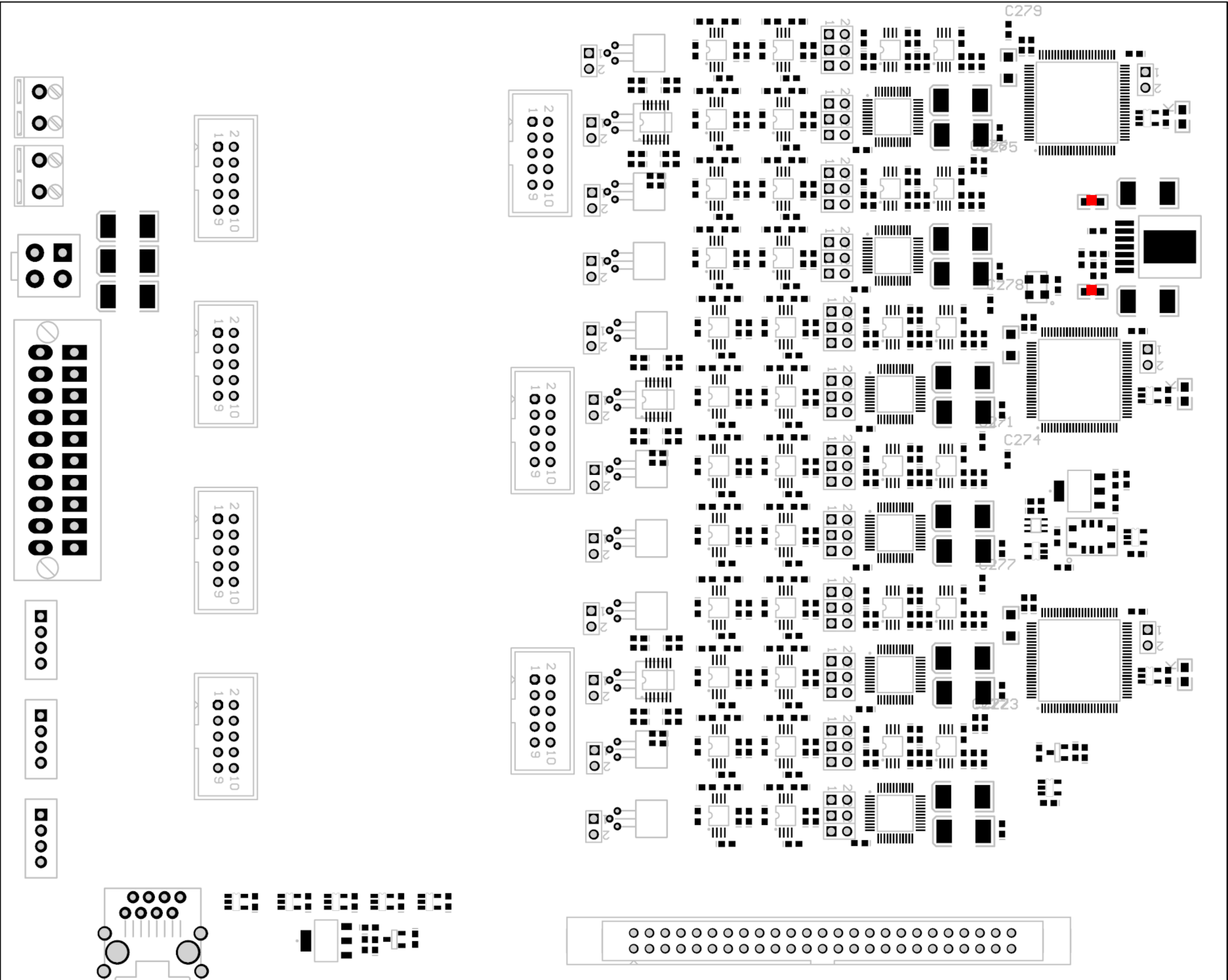
Q=119

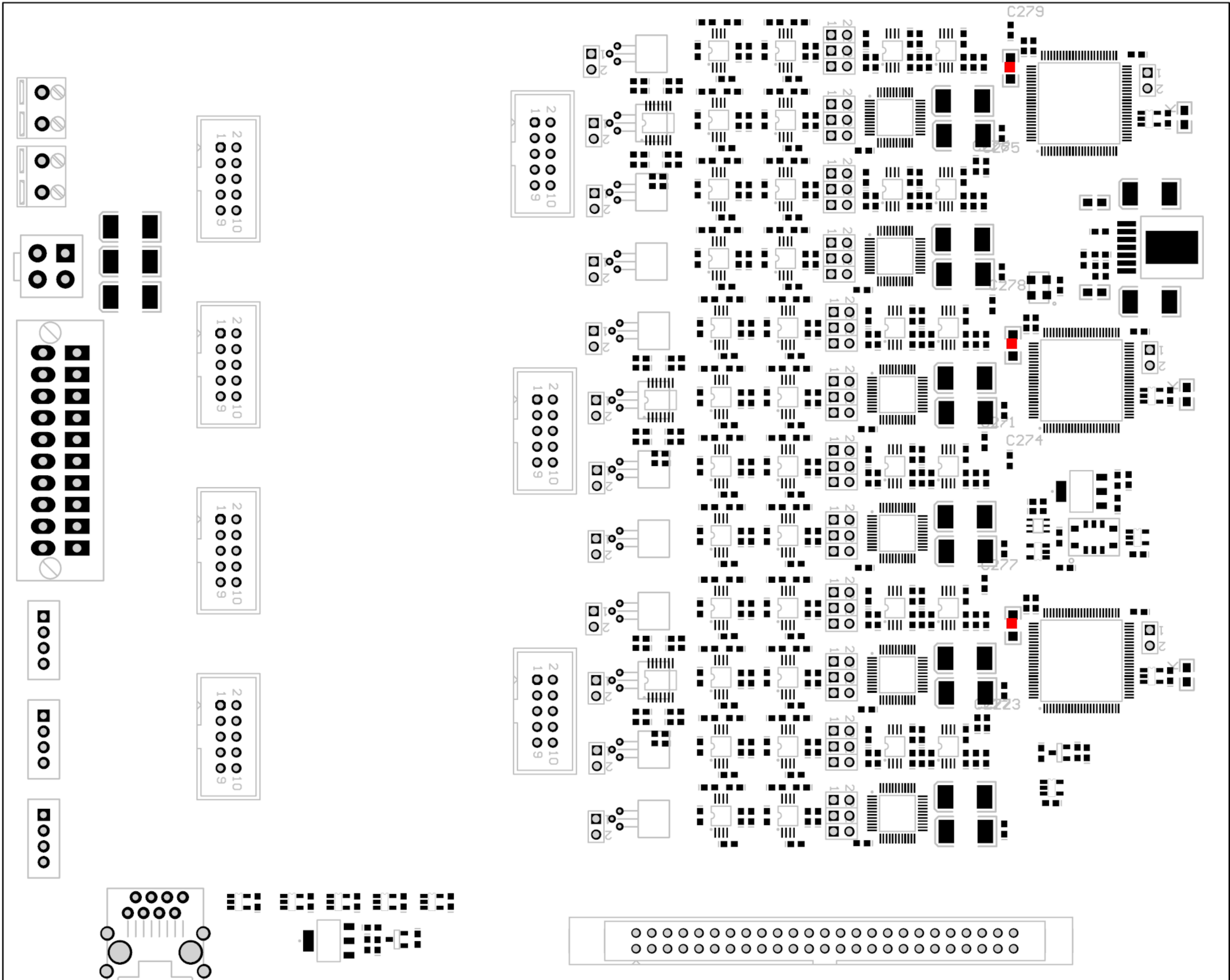
C279 C278 C277 C276 C275 C274 C273
 C272 C271 C270 C268 C267 C107 C120
 C119 C106 C90 C96 C102 C103 C97 C70
 C76 C75 C59 C77 C91 C92 C78 C131 C145
 C144 C130 C122 C128 C129 C123 C150 C156
 C155 C149 C143 C159 C172 C173 C160 C124
 C134 C132 C133 C141 C135 C136 C142 C171
 C165 C164 C170 C162 C161 C163 C151 C25
 C39 C38 C24 C16 C22 C23 C17 C44 C50 C49
 C43 C1 C2 C3 C4 C37 C53 C66 C13 C14 C11
 C12 C67 C54 C18 C28 C26 C27 C35 C29 C30
 C36 C65 C39 C58 C64 C56 C55 C57 C45 C98
 C110 C108 C109 C117 C111 C112 C118 C89
 C83 C82 C88 C80 C79 C81 C71

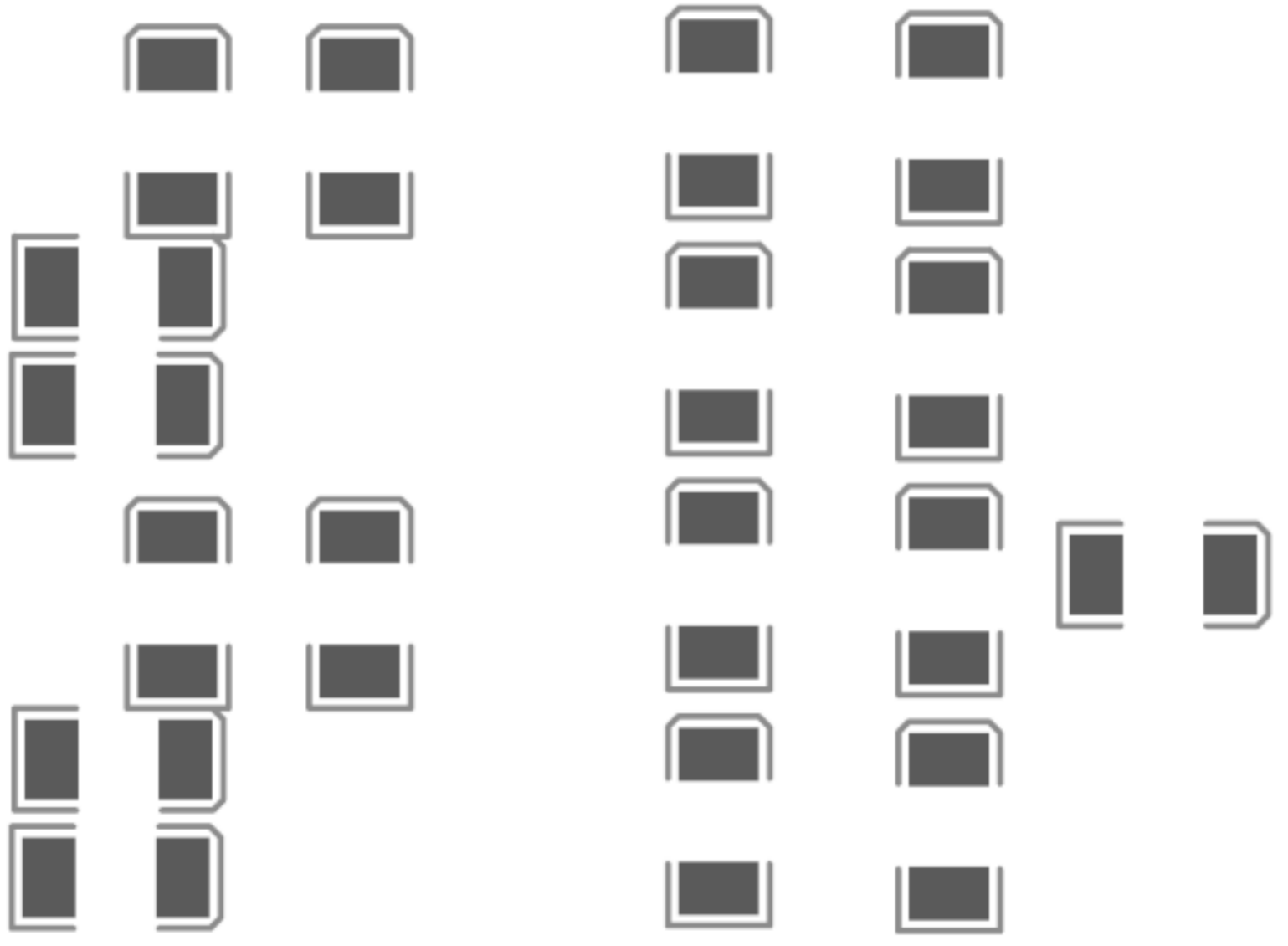
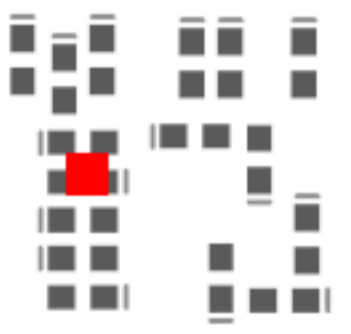
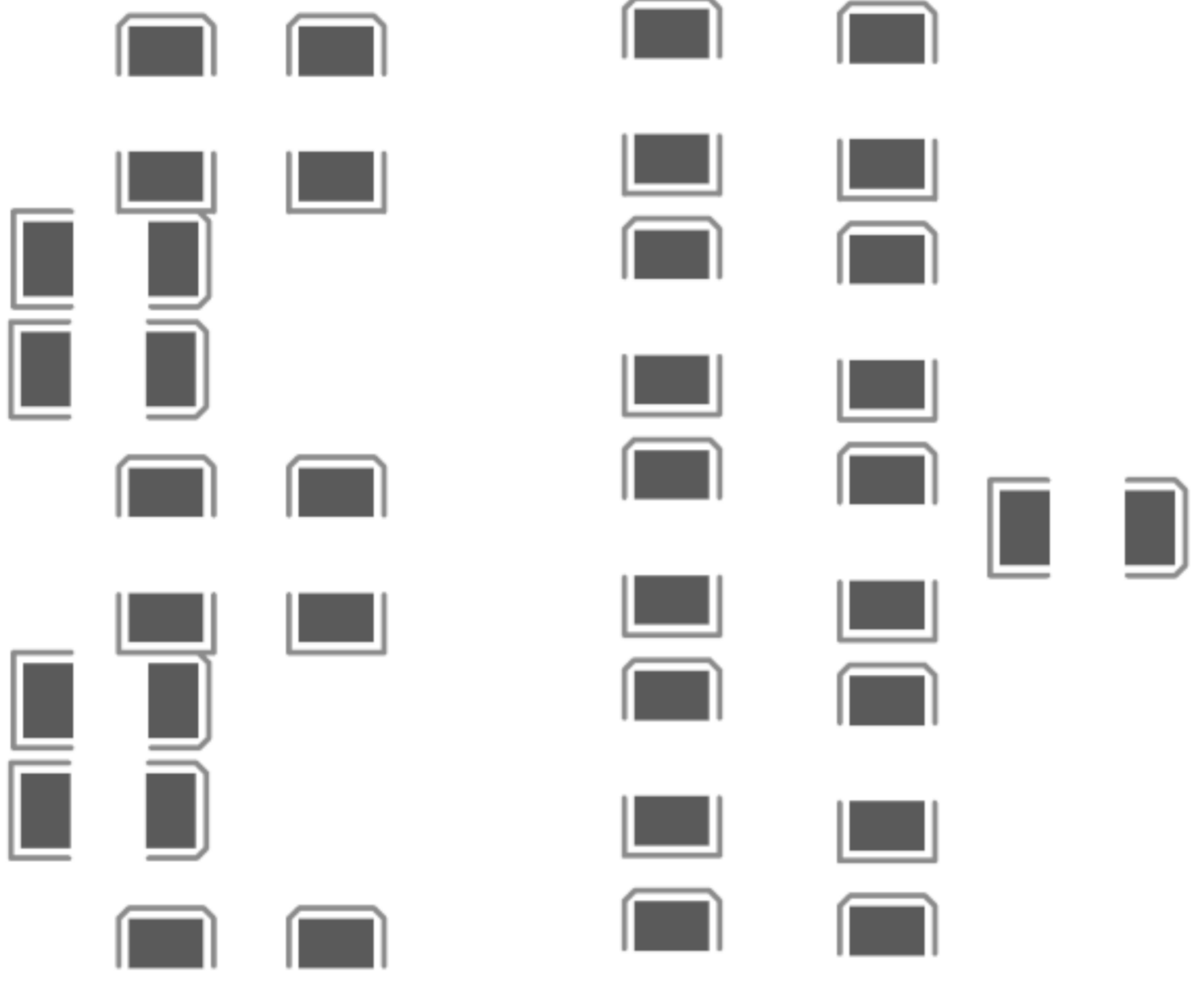
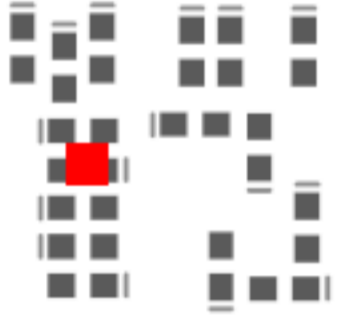
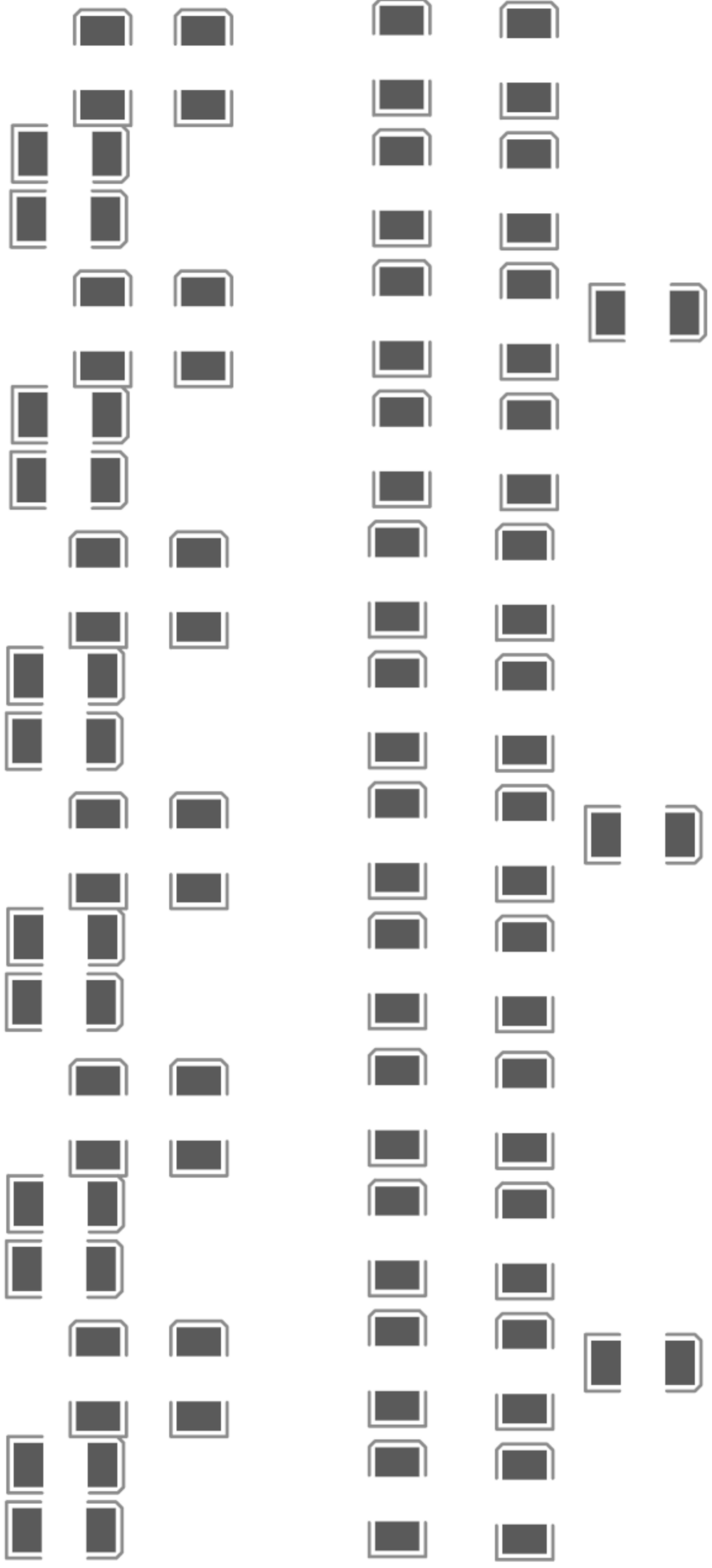
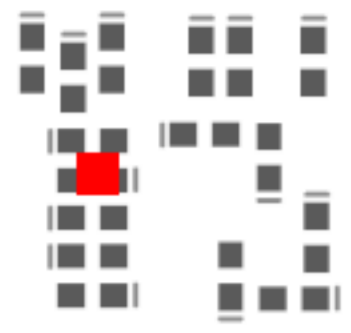


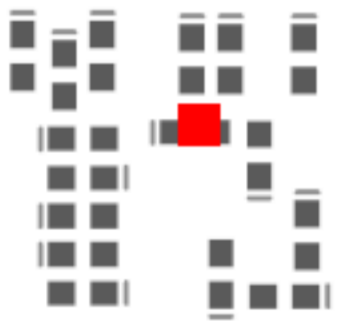
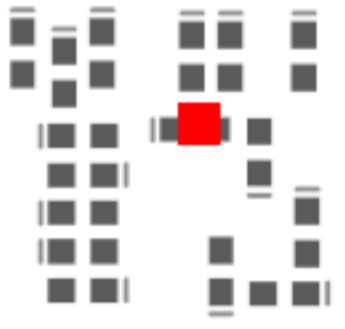
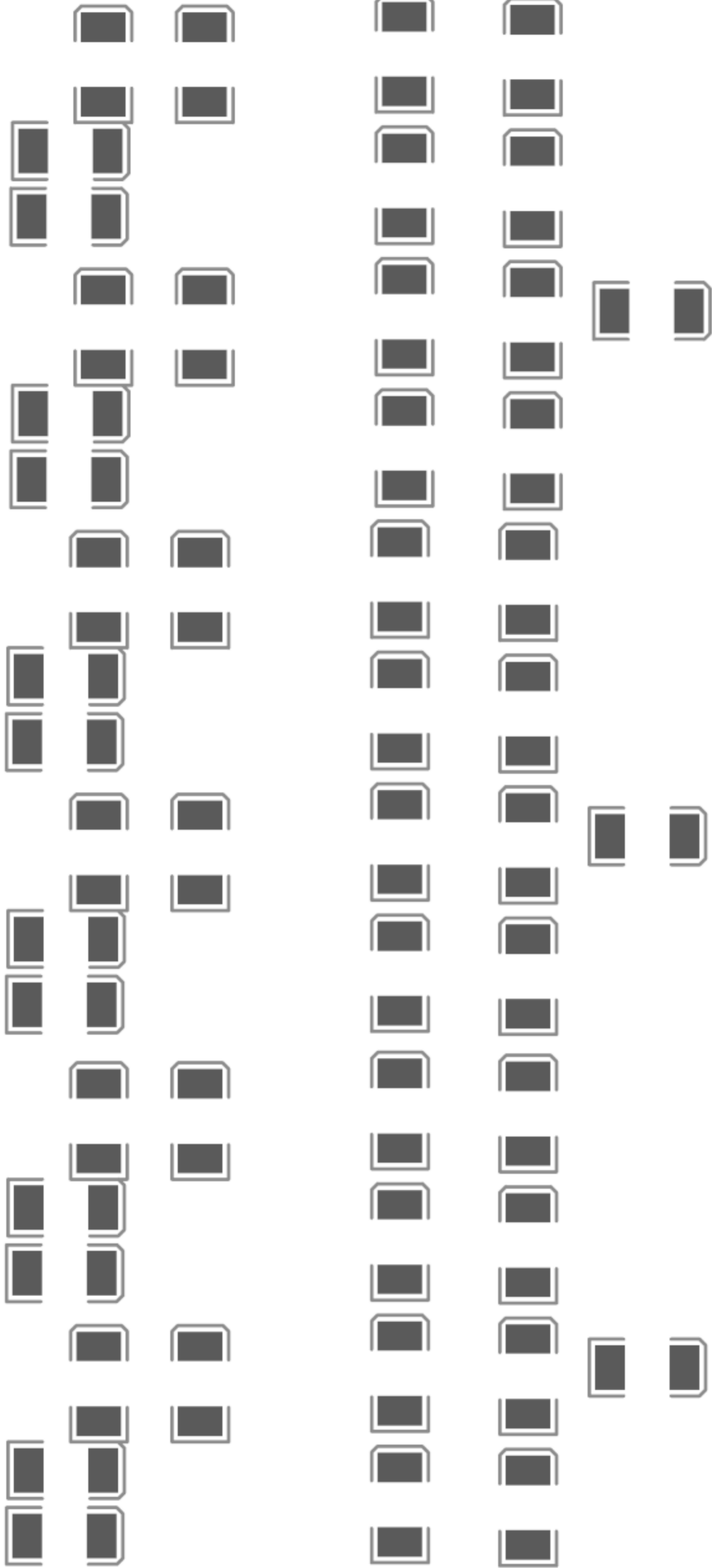
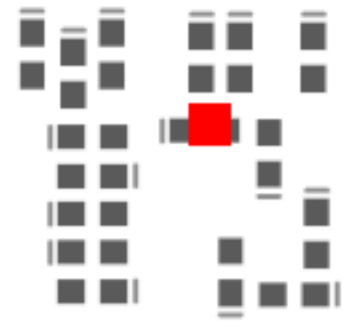
4.7U-0603-6.3V
Q=12
C139 C140 C169 C168 C33 C34 C63 C62
C115 C116 C87 C86







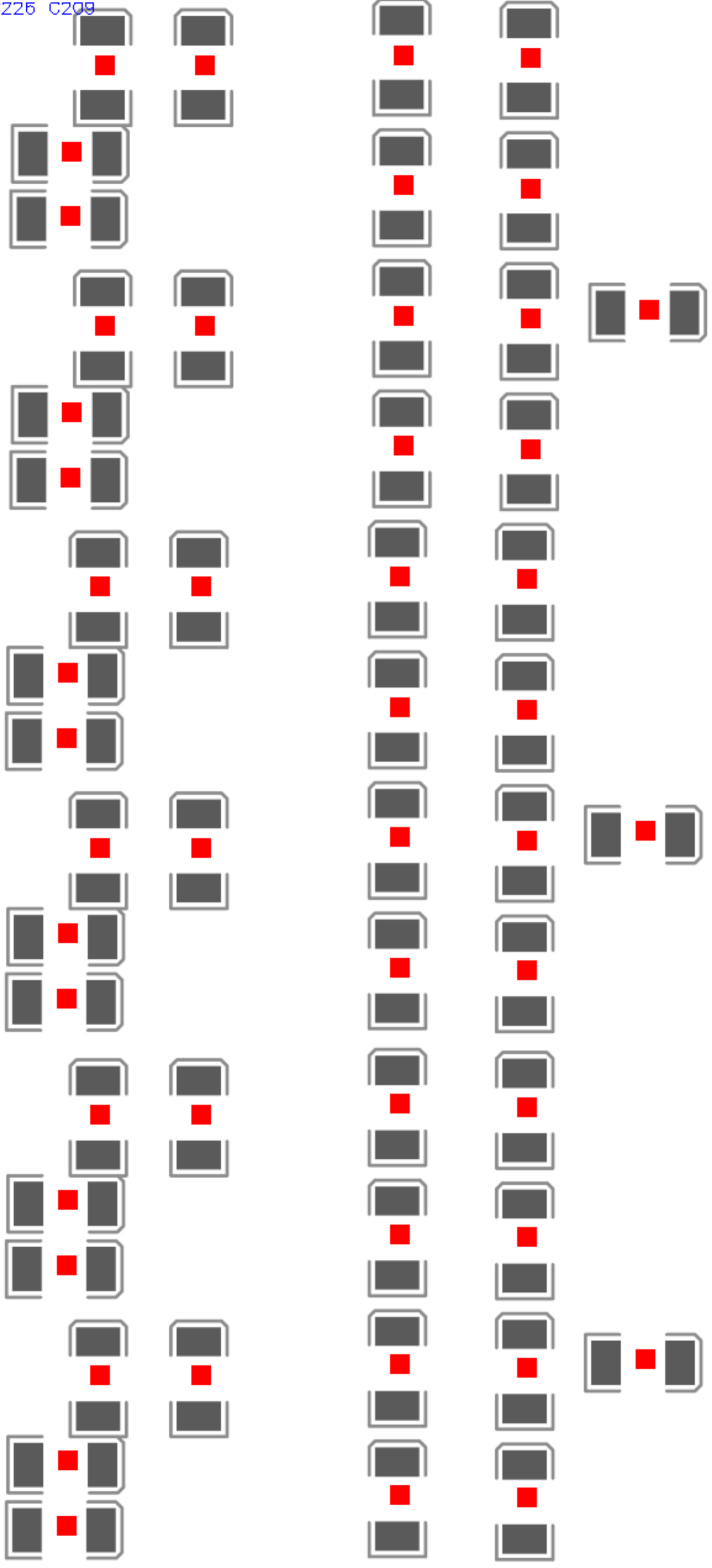


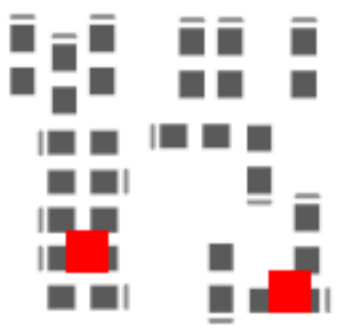
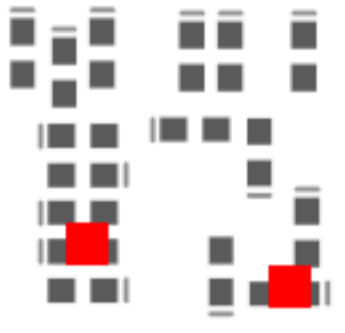
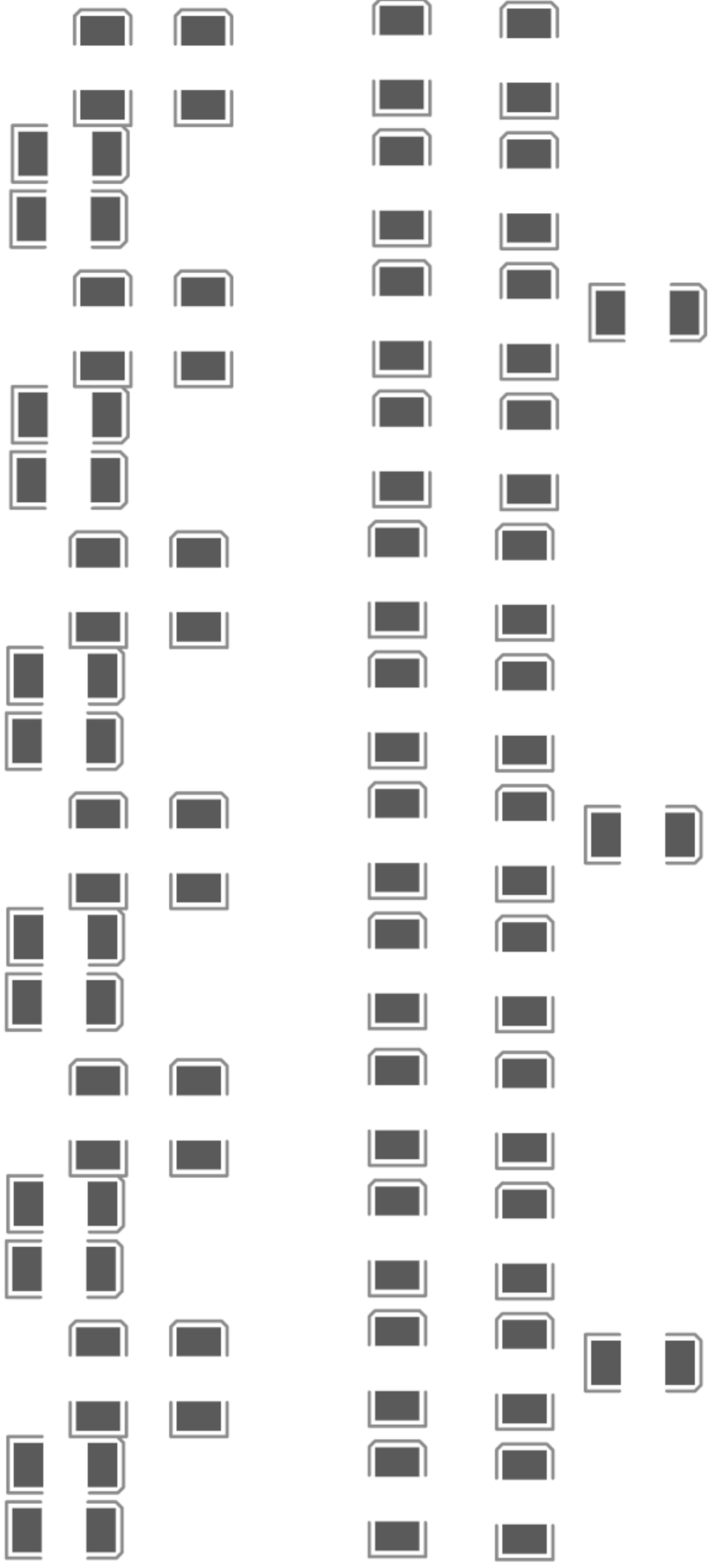
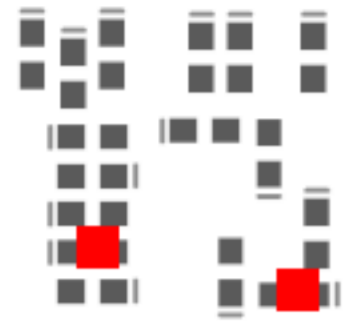


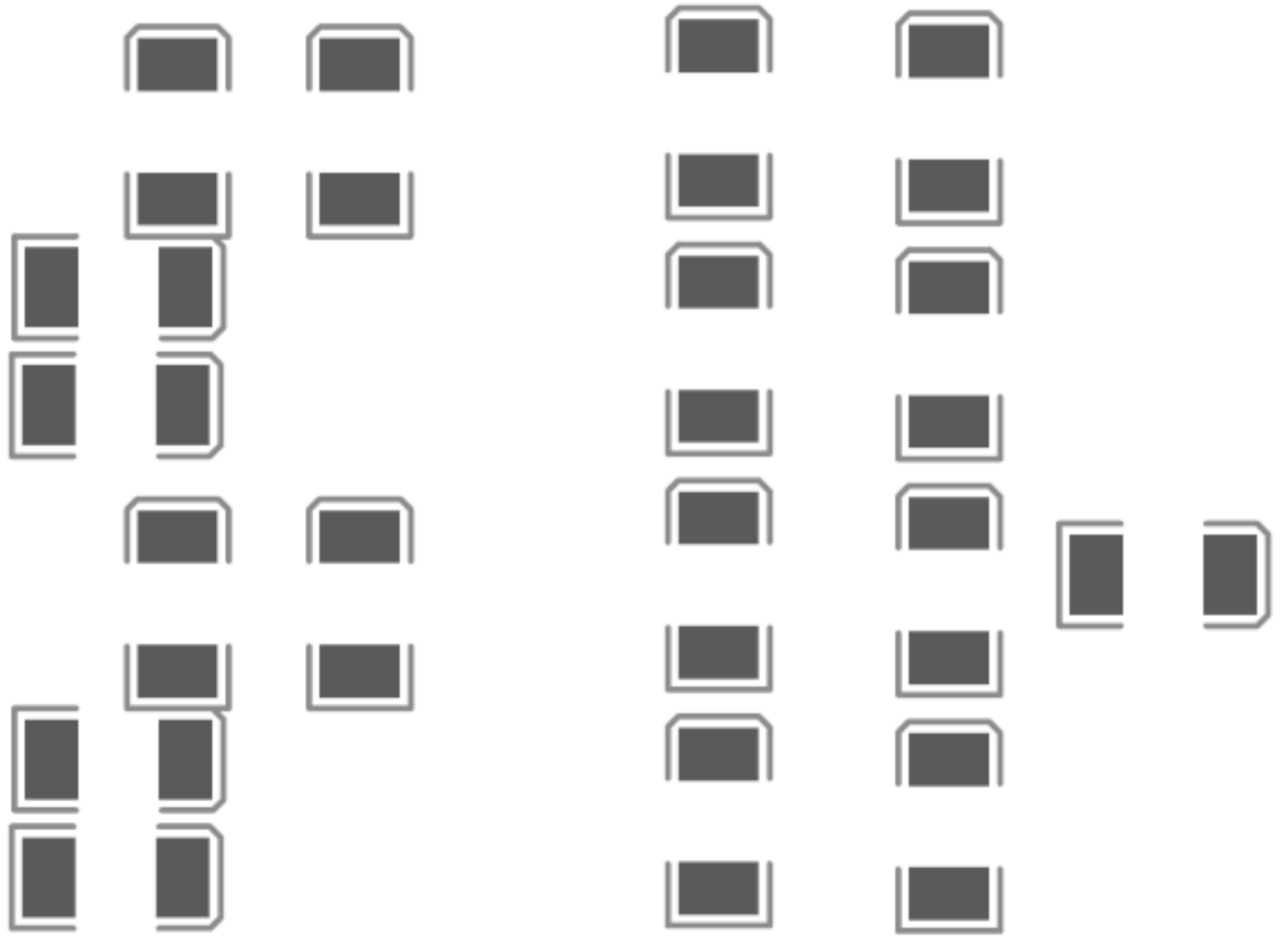
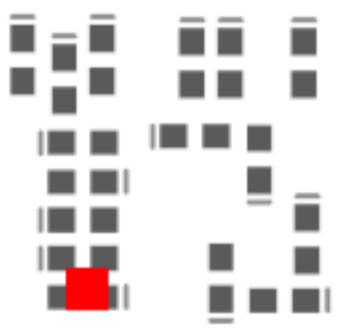
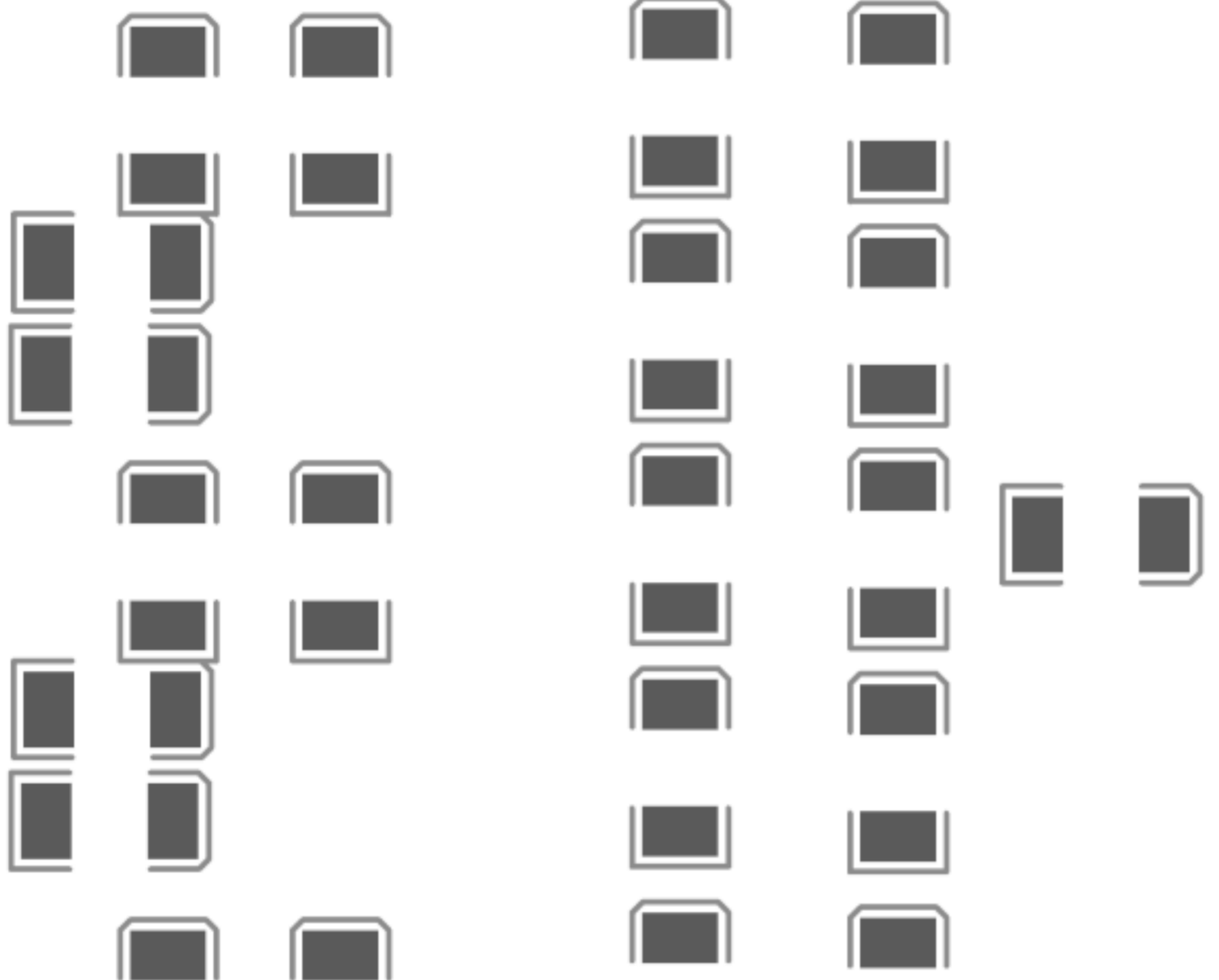
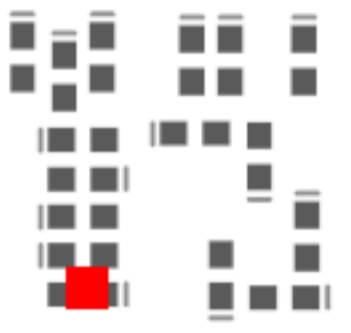
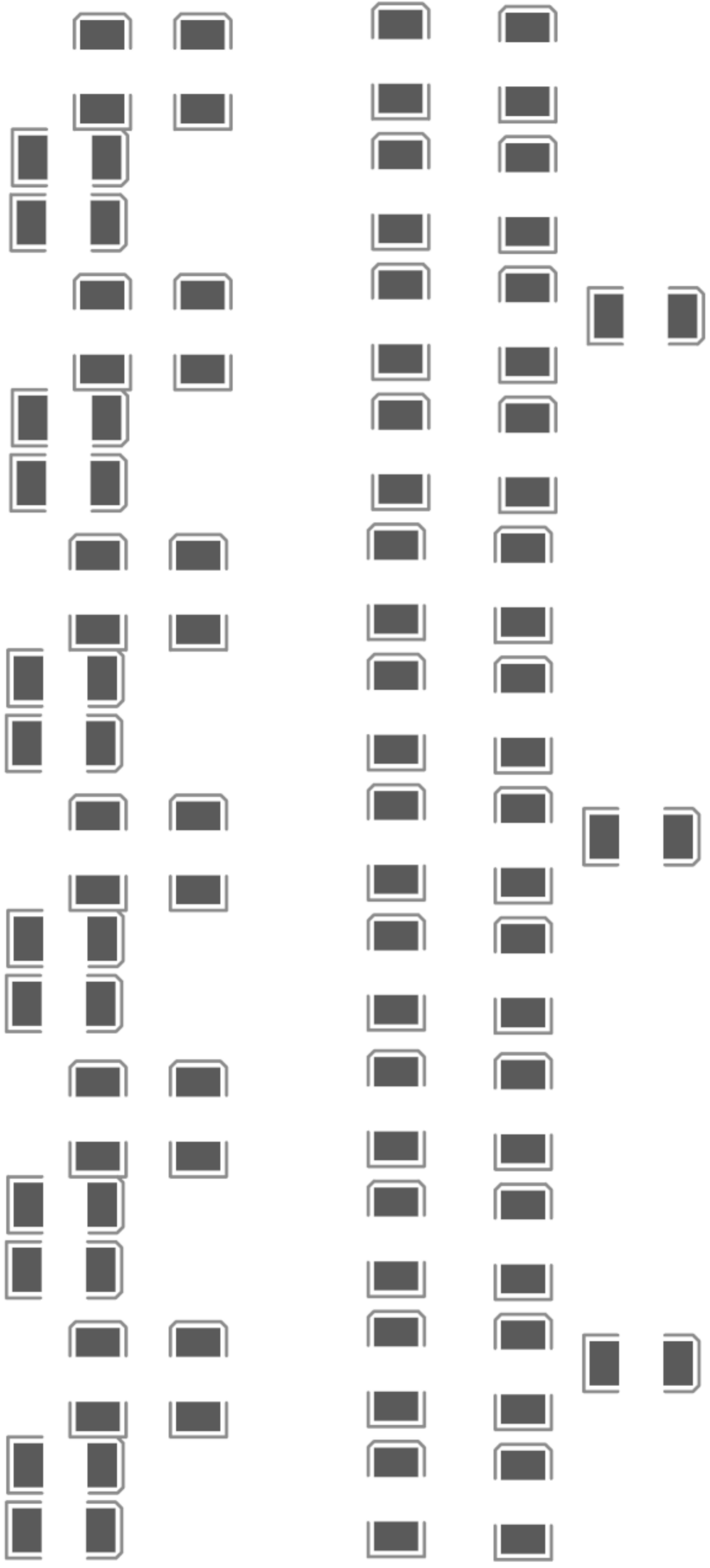
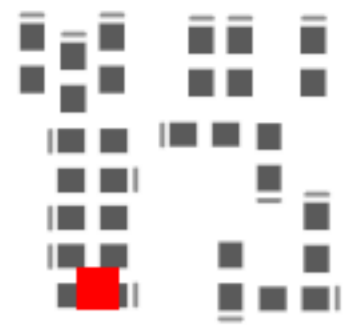
47U-LESR-C293D

Q=51

C235 C229 C213 C214 C216 C207 C205 C211
C212 C243 C242 C236 C238 C247 C245 C244
C260 C266 C239 C237 C241 C240 C257 C258
C246 C253 C181 C180 C174 C176 C185 C183
C182 C198 C204 C177 C175 C179 C178 C195
C196 C184 C191 C222 C215 C227 C226 C209
C210 C206 C208







100N-0603

Q=30

C254 C255 C256 C259 C261 C264 C265 C262

C248 C251 C192 C193 C194 C197 C199 C202

C203 C200 C186 C189 C220 C217 C231 C234

C233 C230 C228 C225 C224 C223

